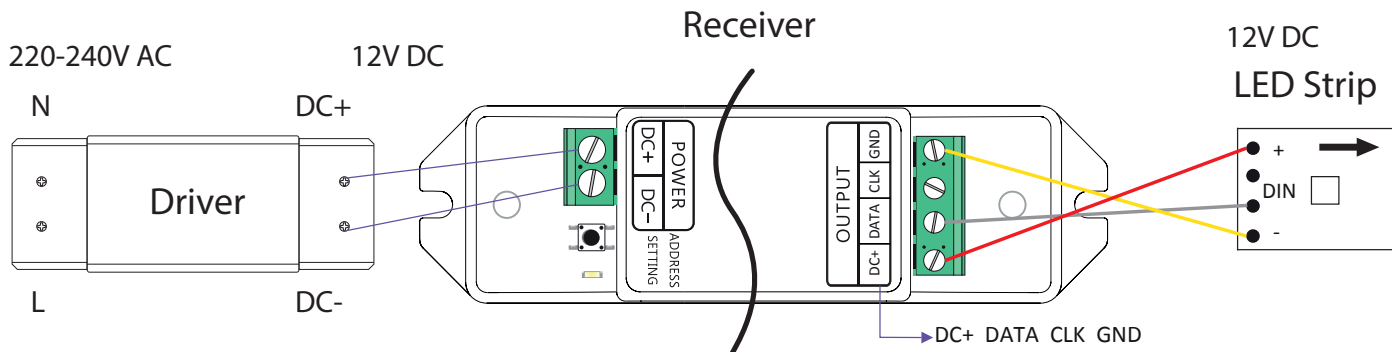


## Wiring Diagram

### Digital RGB Pixel Control



Please make sure you connect the strip to receiver correctly, indicated as following table.

Receiver to strip	
Mark on Receiver	Mark / Cable colour on Strip
DC+	+ / RED Cable
DATA	3rd PIN Connection / WHITE Cable
CLK	2nd PIN Connection / DO NOT WIRE
GND	- / YELLOW Cable

\*\*The connection instruction is for Integral LED Digital Pixel RGB strip ILSTRGBA073E and ILSTRGBB074E only. If using different digital strips, the connection may vary.