



INSTALLATION INSTRUCTIONS

INTEGRAL FIRE RATED DOWNLIGHT RANGE – 3 YEAR WARRANTY

Full PT No	6-digit	EAN Barcode
ILD LFR70B001	62-45-67	5055788223382
ILD LFR70B003	39-19-10	5055788223405
ILD LFR70B008	26-13-44	5055788225096
ILD LFR70B009	65-98-72	5055788225133
ILD LFR70B010	85-71-63	5055788225171
ILD LFR70B011	67-43-50	5055788225218
ILD LFR70B012	74-60-92	5055788225256
ILD LFR70B013	38-87-77	5055788225294
ILD LFR70B014	14-70-16	5055788229247
ILD LFR70B015	14-70-26	5055788229254
ILD LFR70B016	14-70-83	5055788229261
ILD LFR70B017	14-71-05	5055788229278
ILD LFR70B019	30-75-95	5055788232988
ILD LFR70B021	32-80-05	5055788233046
ILD LFR70B023	27-58-02	5055788233107
ILD LFR70B024	28-72-35	5055788233138

Important Details – Please read prior to installation

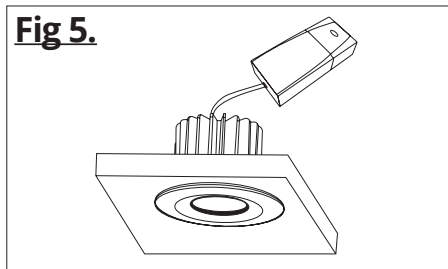
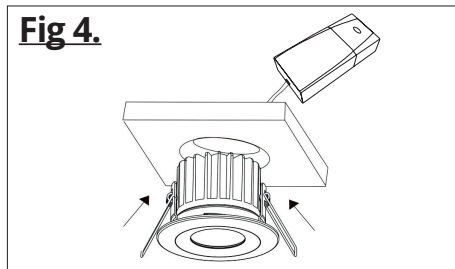
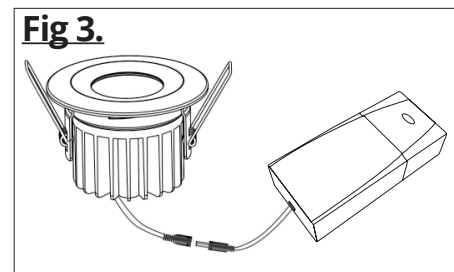
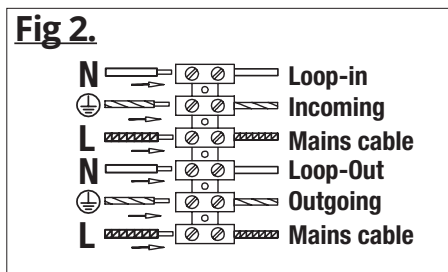
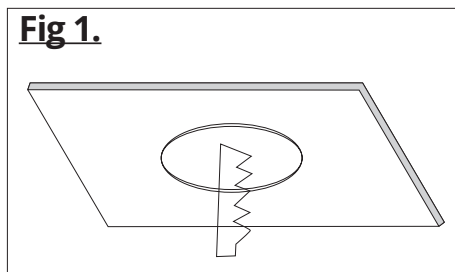
Ensure the AC/Mains power is NOT connected and cannot be unexpectedly reconnected during installation.

1. This product must be installed by a qualified electrician in accordance with instructions provided and in compliance with recognised electrical and safety regulations relevant to the country it is being installed in.
2. The product and its associated control gear are designed to operate on 220-240 volts 50Hz.
3. This downlight range is designed to be installed in a ceiling tile/solid material, with a minimum dimension of 3mm thickness.
4. This product is for Indoor use only. It should not be covered with insulation material at any time.
5. Minimum Clearance is 50mm above the installed fitting, and no product should be installed within 50mm of any joist.

Specific Installation details

1. Ensure the AC/mains power is not connected and cannot be reconnected during installation.
2. For new installations use cutting tools suitable for the material, carefully cut the required hole to allow installation. (Fig.1)
3. For Refurbishment installations ensure that the existing hole is suitable and strong enough to hold the new downlight. Support the surrounding area if required.
4. Take the driver out of the box and connect the incoming AC/mains cable to the driver using the marked terminals provided. (Fig.2) Incoming Cable connections are, L= Live power conductor (brown), N = Neutral power conductor (blue). The driver offered is Class II. An earth connection is not required. For your convenience we have included an earth wire connection should this be necessary for your installation.
5. If you use the loop-in, loop-out connection connect your incoming loop-in as referenced in point 4 above and your outgoing loop-out connection as shown in figure 2.
6. Remove the downlight from the box and connect the downlight to the driver via the connection system provided. (Fig.3)
7. Place the driver through the cutout, raise the springs and place the downlight into the plaster board cut-out ensuring that both the driver and mains power cable are not trapped. (Fig.4)
8. Once correctly connected, position the downlight fully into the aperture so that the outer flange is flush with the installed ceiling plaster board. (Fig 5)
9. Switch on the mains power supply.

Warranty/technical and contact information are all available at www.integral-led.com

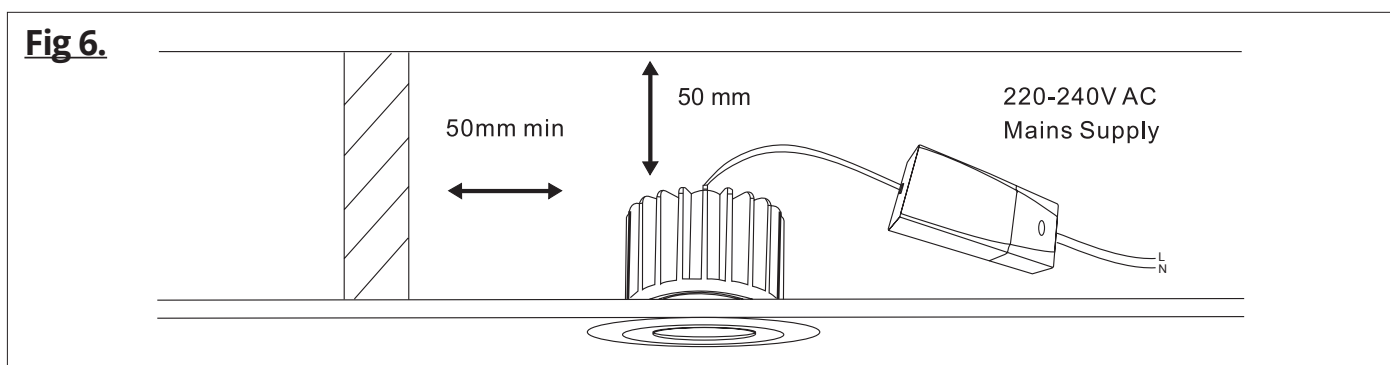


Integral LED Downlight Good Installation Guidelines

1. The Integral LED downlight range is principally designed to be installed into plasterboard ceilings with wooden joists. However other ceilings can be used, if the construction dimensions are suitable.
2. No downlight, of any type, should be installed within 50mm of any vertical wooden support.
3. There should always be a minimum of a 50mm above the fitting. (Fig 6)
4. Covering insulation should always be avoided if at all possible, allowing free air around the product is always advantageous to the life of the product.

Dimming requirements

The Dimming of LED products requires the installing contractor to provide the correct dimmer for the product. Integral LED recommends the use of Varilight V-Pro 400 Dimmers as the best in Market for LED dimming. Please see www.varilight.com dimmers



Product Compliance:

These Integral fire rated downlights are tested and compliant with the following

BS476 Part 21:1987 Methods for determination of the fire resistance of loadbearing elements of construction. Covers solid timber joist ceiling/ floor constructions up to 90 minutes

IP65 and Air tightness compliant with Part C (resistance to contaminants and moisture) and Part L (conservation of power and fuel). Tested in accordance with BS EN 13141-1:2004

Building Regulations: Approved documents ; Part B (Fire), Part C (Condensation), Part E (Acoustic), Part L (Conservation of Fuel and Power), Part P (Electrical Installation)



All Trademarks Acknowledged

Warranty/Technical and contact information are all available at www.integral-led.com

Integral LED is a division of Integral Memory plc:
Unit 6, Iron Bridge Close,
Iron Bridge Business Park,
London, NW10 0UF, UK