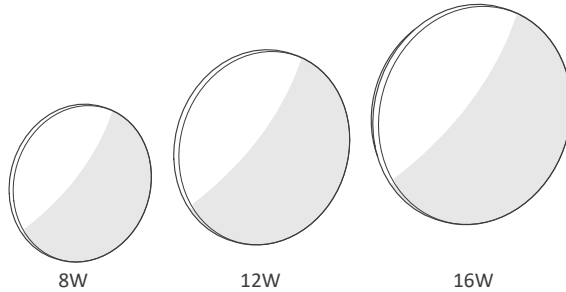


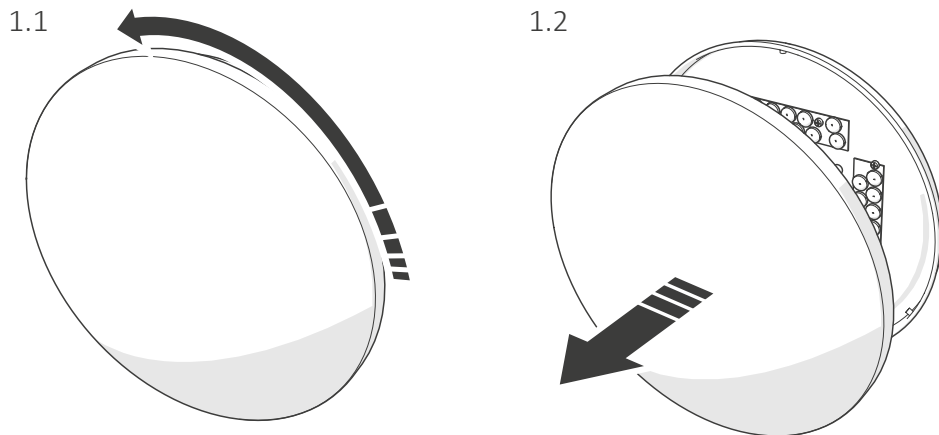
# integral™ LED

INSTALLATION INSTRUCTIONS  
INSTRUCTIONS D'INSTALLATION  
INSTALLATIE INSTRUCTIES  
INSTRUCCIONES DE INSTALACIÓN  
INSTALLATIONSANLEITUNG  
INSTRUKCJE INSTALACJI  
INSTRUÇÕES DE INSTALAÇÃO

Value+ Ceiling/Wall Light - Adjustable CCT and Microwave Motion Sensor



## 1 Installation / Installatie / Instalación / Installation / Instalacja / Instalação



## 2

2.1  $\varnothing 6 \times 30\text{mm}$

2.2

2.3

2.4

$\varnothing 4.0$

Included / Inclus / Inbegrepen /  
Incluida / Inbegriffen / Dołączony /  
Incluída / Inclusa

PRODUCT	OD $\varnothing$
8W	$\varnothing 188\text{mm}$
12W	$\varnothing 234\text{mm}$
16W	$\varnothing 287\text{mm}$

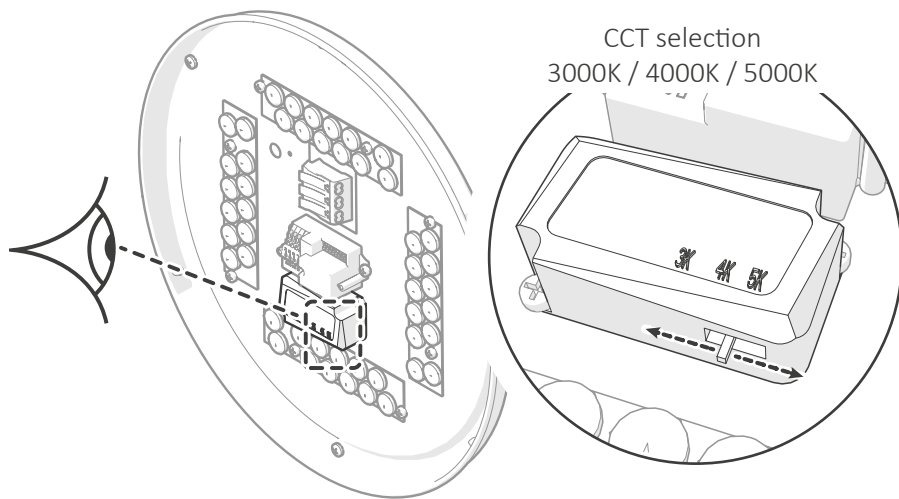
Cable  $\varnothing 6\text{-}8\text{mm}$

## 3

### Connection / Lien / Verbinding / Conexión / Verbindung / Połączenie / Conexão / Connessione

4

Additional settings - CCT / Paramètres additionnels - CCT / Aanvullende instellingen - CCT / Ajustes adicionales - CCT / Zusätzliche Einstellungen - CCT / Dodatkowe ustawienia - CCT / Configurações adicionais - CCT / Altre impostazioni - CCT

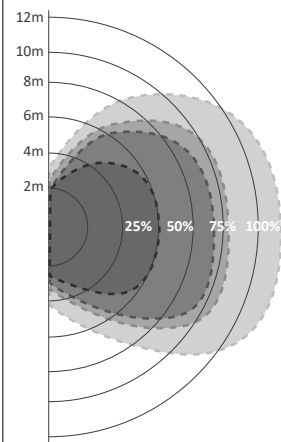


5

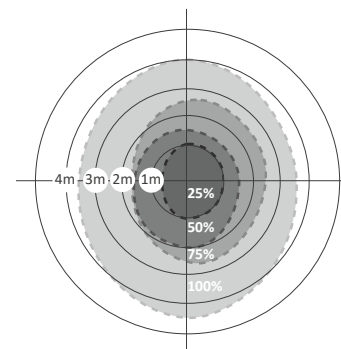


Detection Zones

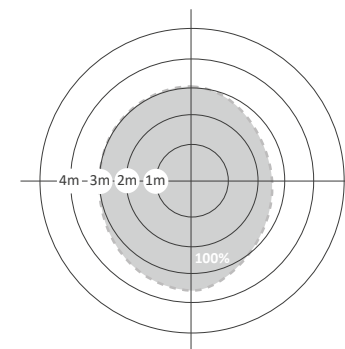
Wall/ Mur/ Muur/ Muro/  
Wand/ Ściana/ Parede/ Parete  
@ 2m



Ceiling/ Plafond/ Techo/ Decke/  
Sufit/ Teto/ Soffitto  
@ 3m

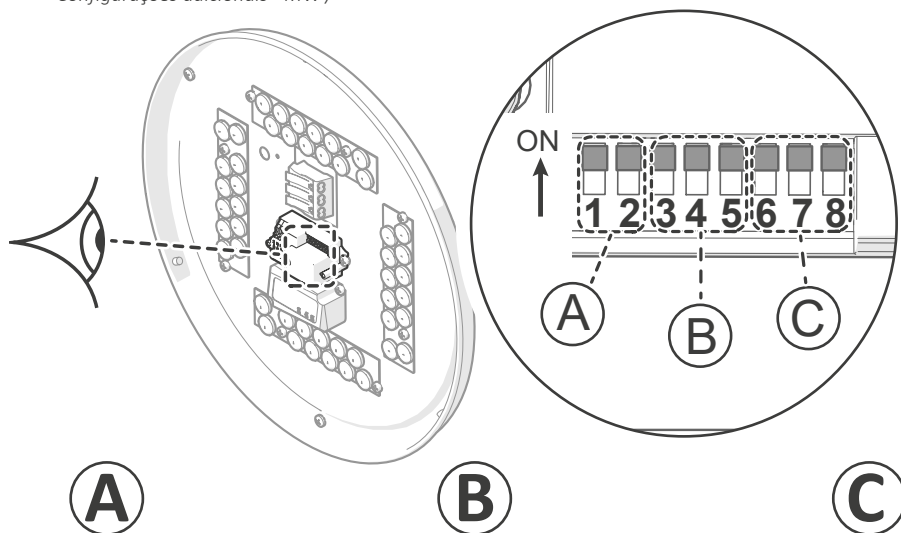


Ceiling/ Plafond/ Techo/ Decke/  
Sufit/ Teto/ Soffitto  
@ 4m

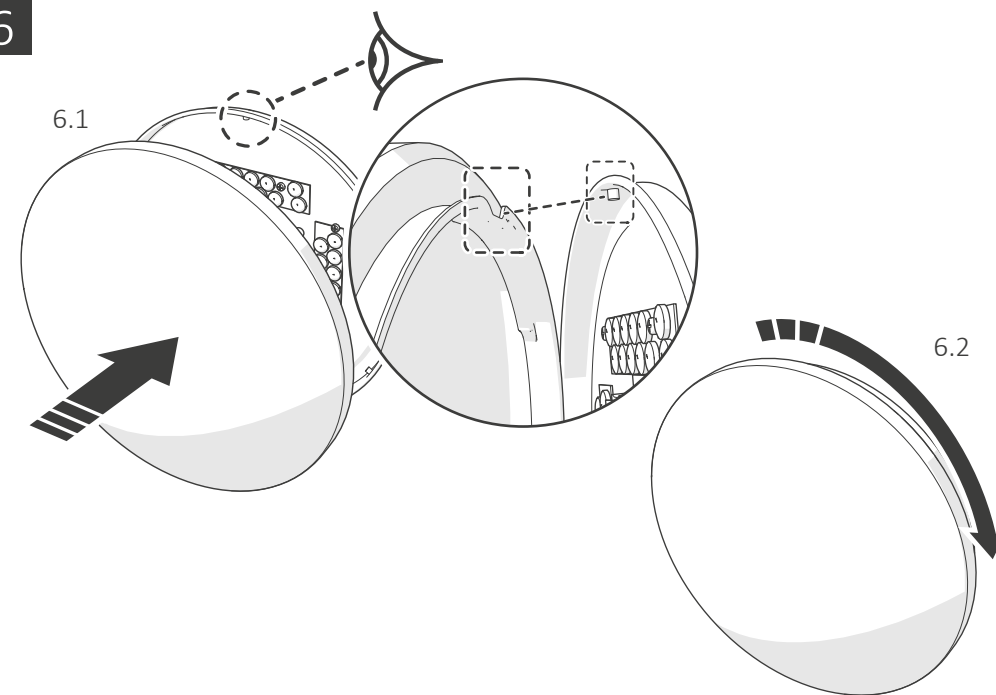


5

Additional settings - MW / Paramètres additionnels - MW / Aanvullende instellingen - MW / Ajustes adicionales - MW / Zusätzliche Einstellungen - MW / Dodatkowe ustawienia - MW / Configurações adicionais - MW /



6



DETECTION AREA	DIP SWITCH	
	1	2
100%	ON	ON
75%	ON	-
50%	-	ON
25%	-	-

"ON" TIME	DIP SWITCH		
	3	4	5
5s	ON	ON	ON
30s	ON	ON	-
1min	ON	-	ON
3min	ON	-	-
5min	-	ON	ON
10min	-	ON	-
20min	-	-	ON
30min	-	-	-

DAYLIGHT SENSOR	DIP SWITCH		
	6	7	8
2Lux	ON	ON	ON
10Lux	ON	ON	-
25Lux	-	ON	-
50Lux	ON	-	-
Disable**	-	-	-

Warranty/ Technical & contact information are all available at [www.integral-led.com](http://www.integral-led.com)

IS1021 A



All Trademarks Acknowledged

Integral LED is a division of Integral Memory plc:  
Unit 6, Iron Bridge Close, Iron Bridge Business Park,  
London, NW10 0UF, UK  
Integral Europe BV, 2801 DG, NL