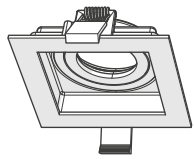
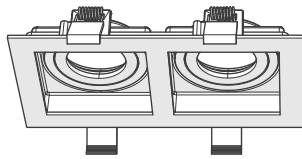




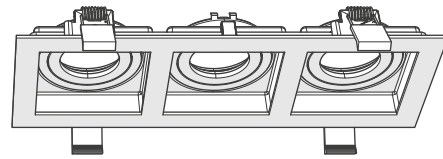
IS 1001



Type A



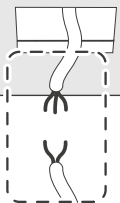
Type B



Type C

i

PRODUCT	[Image of saw icon]	
	L (mm)	W (mm)
Type A	90	90
Type B	170	90
Type C	225	90



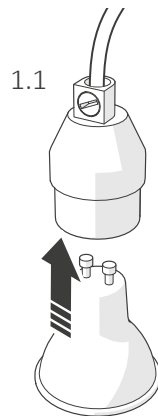
240v AC by others / par d'autres / door anderen / Por otras / Von anderen / przez innych / por outros / dagli altri

ILDLA001

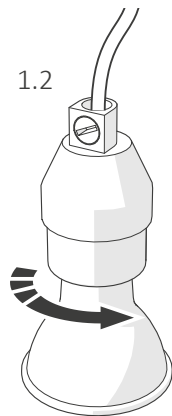
Order separately / Commandez séparément / Apart bestellen / Ordene por separado / Separat bestellen / Zamów osobno / Encomendar Separadamente / Ordina separatamente

1

Lamp Assembly / Assemblage de la lampe / Lamp montage / Montaje de la lámpara / Lampenmontage / Montaż lampy / Montagem da lâmpada / Assemblaggio lampada



1.1

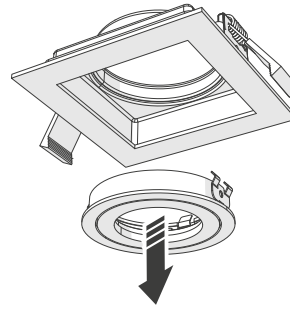


1.2

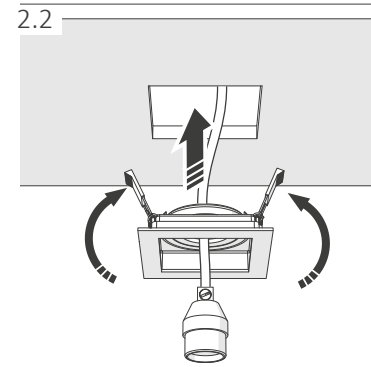
2

Installation / Installation / Installatie / Instalación / Installation / Instalacja / Instalação / Installazione

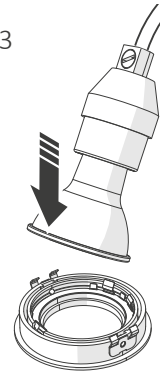
2.1



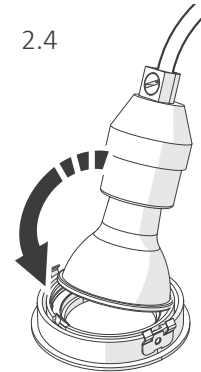
2.2



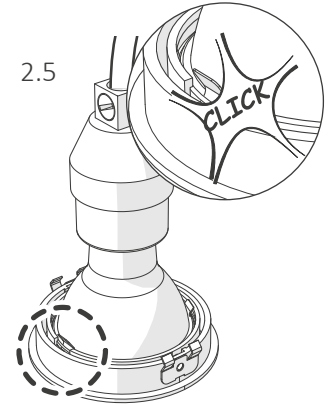
2.3



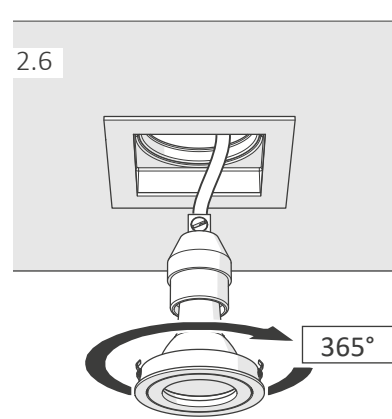
2.4



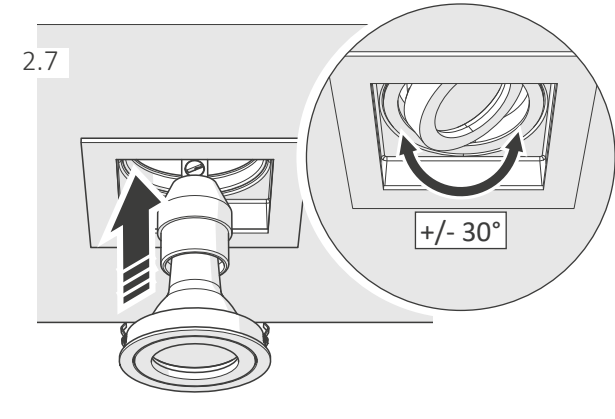
2.5



2.6



2.7



Warranty/ Technical & contact information are all available at www.integral-led.com

IS1030 A



All Trademarks Acknowledged

Integral LED is a division of Integral Memory plc:
Unit 6, Iron Bridge Close, Iron Bridge Business Park,
London, NW10 0UF, UK
Integral Europe BV, 2801 DG, NL