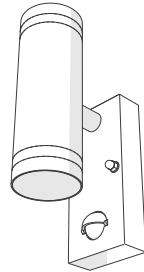
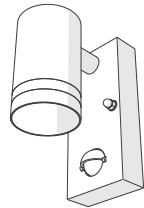
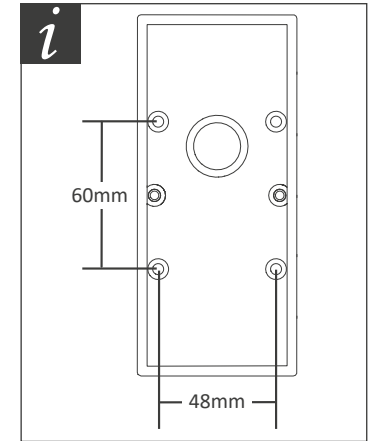
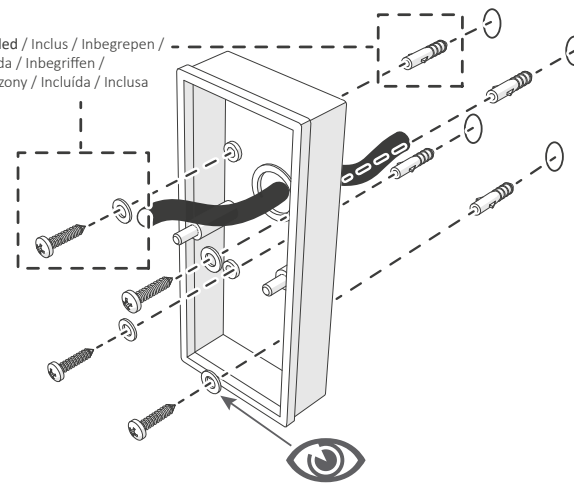




IS 1001

## 1.4

Included / Inclus / Inbegrepen /  
Incluida / Inbegriffen /  
Dołączony / Incluida / Inclusa



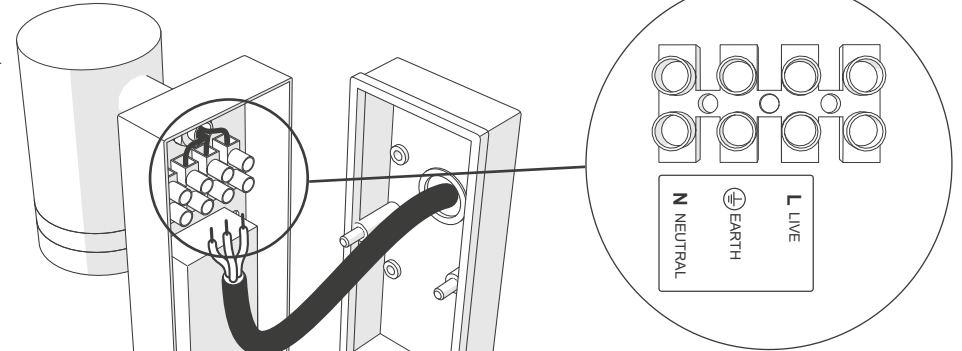
ILDED044 / ILDED045 / ILDED046 / ILDED061

ILDED047 / ILDED048 / ILDED049 / ILDED062

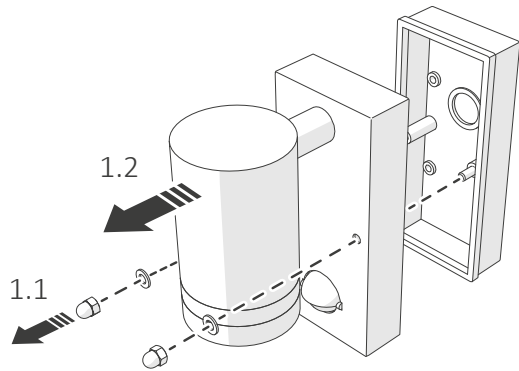
## 2

Connection / Lien / Verbinding / Conexión / Verbindung / Połączenie / Conexão

### 2.1



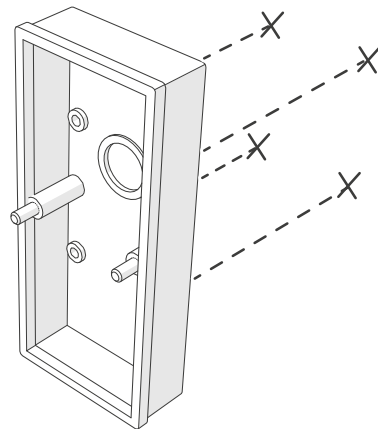
## 1 Installation / Installation / Installatie / Instalación / Installation / Instalacja / Instalação



### 1.3

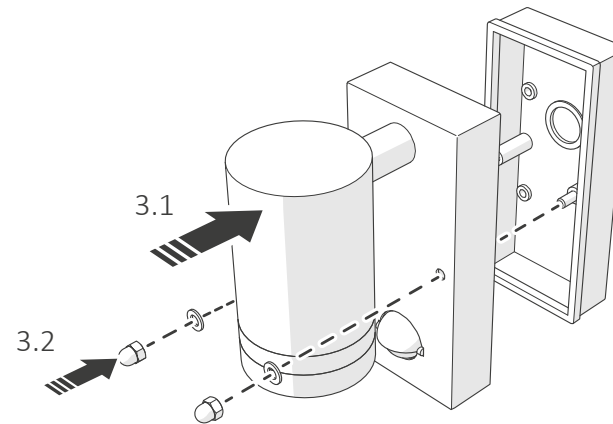


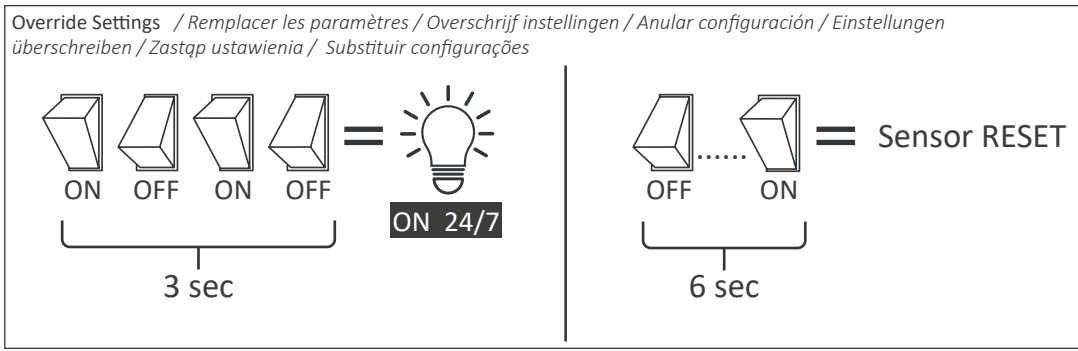
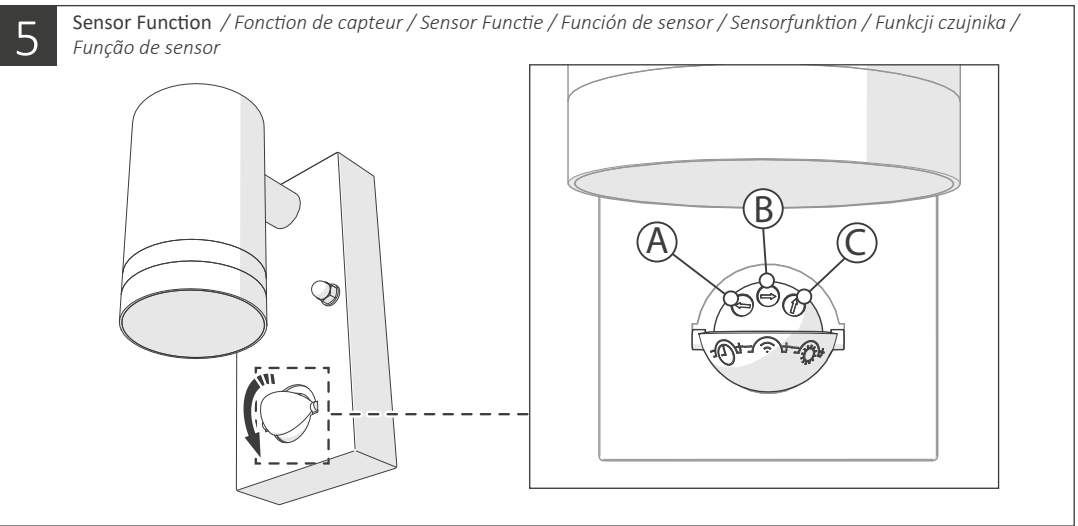
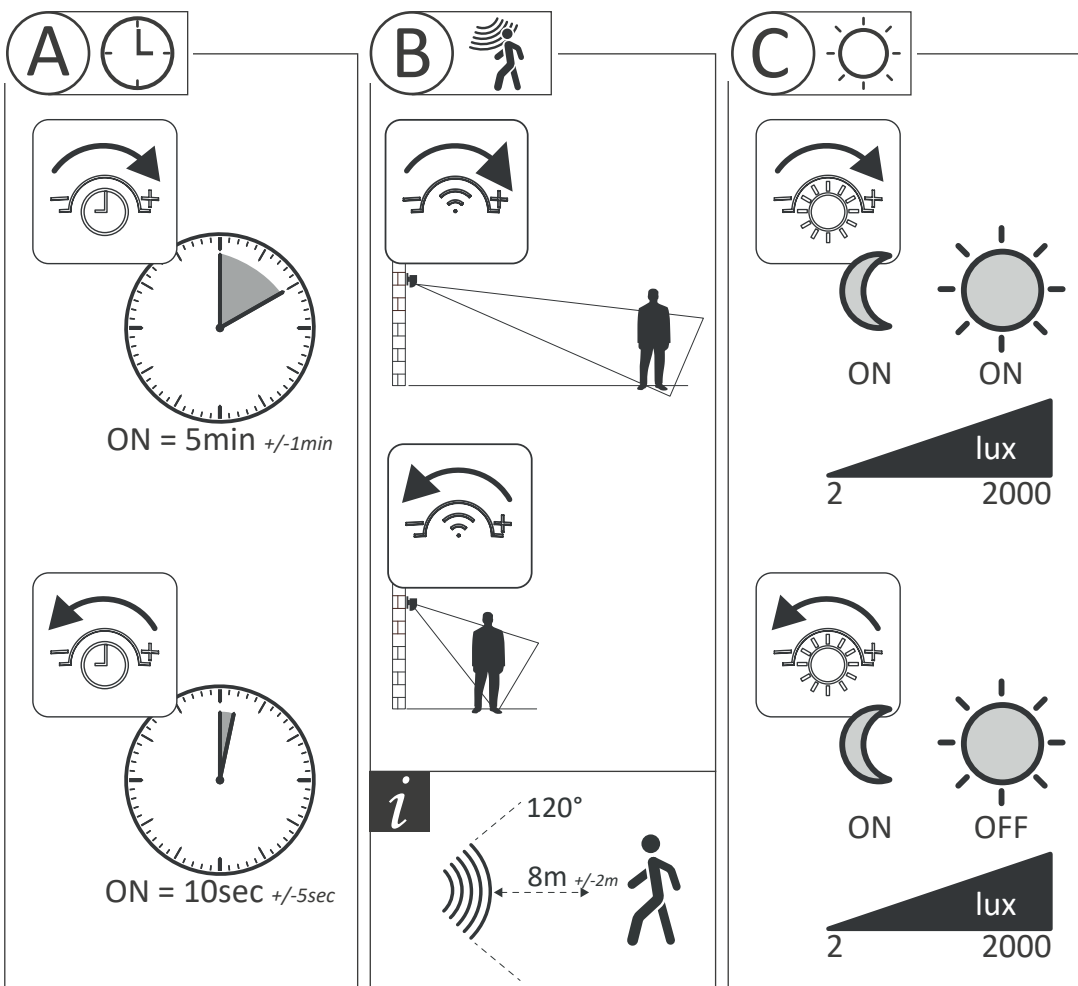
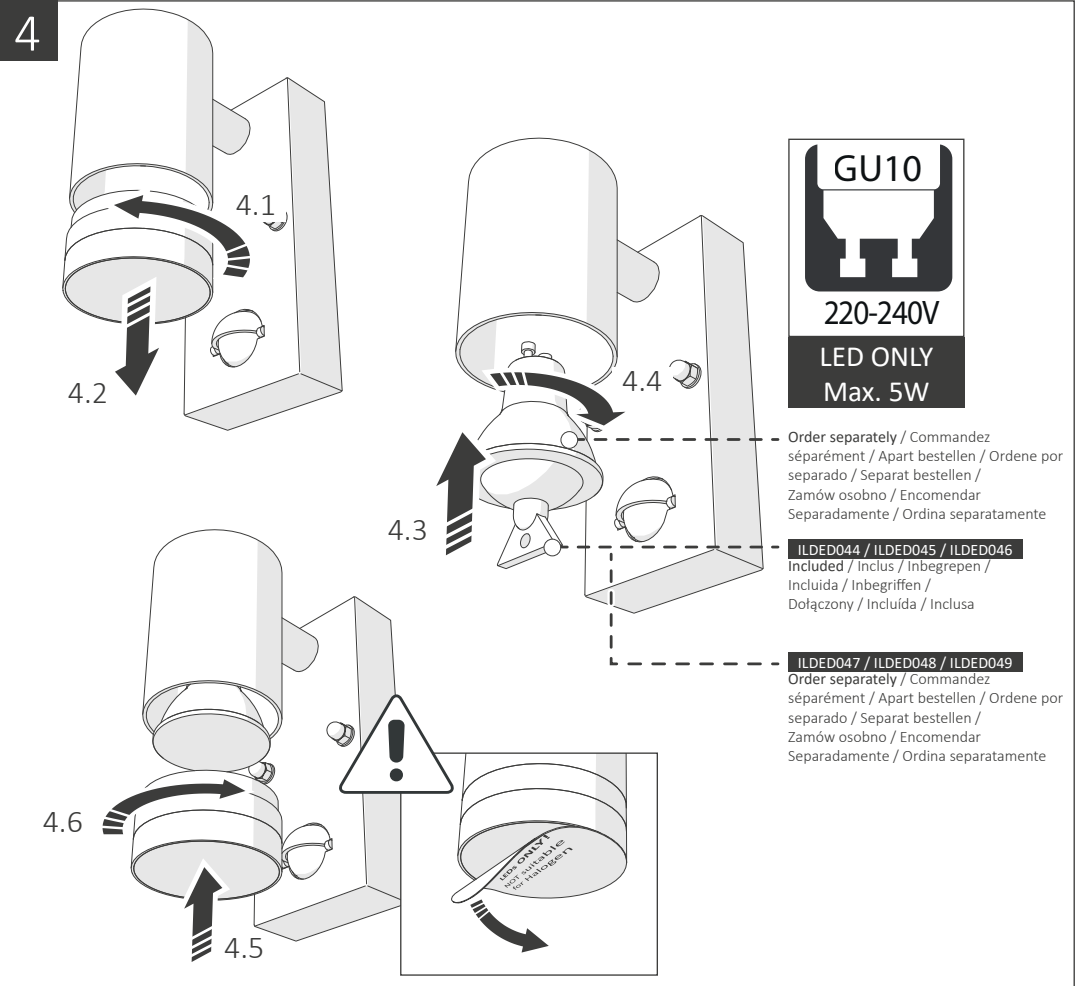
Ø6 x 30mm



## 3

Installation / Installation / Installatie / Instalación / Installation / Instalacja / Instalação





Warranty/ Technical & contact information are all available at [www.integral-led.com](http://www.integral-led.com)

IS1038 A



All Trademarks Acknowledged

Integral LED is a division of Integral Memory plc:  
Unit 6, Iron Bridge Close, Iron Bridge Business Park,  
London, NW10 0UF, UK  
Integral Europe BV, 2801 DG, NL