

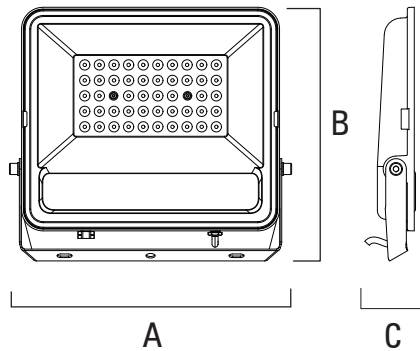
integral™
LED

INSTALLATION INSTRUCTIONS
INSTRUCTIONS D'INSTALLATION
INSTALLATIE INSTRUCTIES
INSTRUCCIONES DE INSTALACIÓN
INSTALLATIONSANLEITUNG
INSTRUKCJE INSTALACJI
INSTRUÇÕES DE INSTALAÇÃO

PRECISION PLUS 2 FLOODLIGHT PC LENS

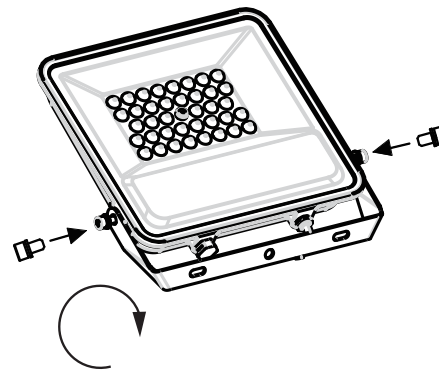


This product contains a light source of energy efficiency class <C>



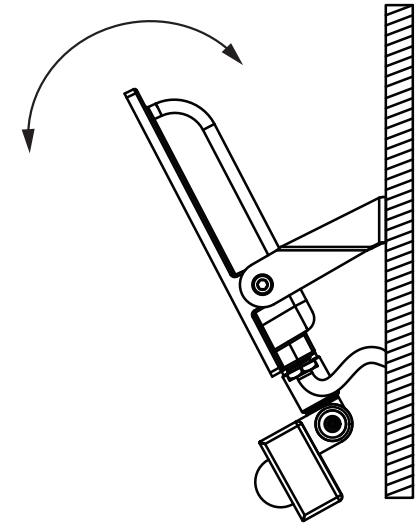
Watt	Dim.:A	Dim.:B	Dim.:C
100W	253.5	242.5	40
150W	328.5	295	43
200W	402.5	349.5	44

4

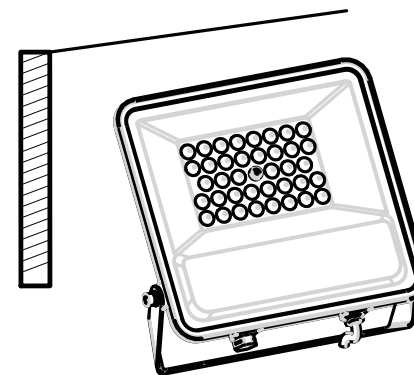


5

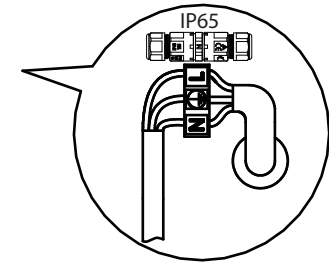
Adjustment/Ajustement/Aanpassing
/Adjustamiento/Einstellung/Modyfikacja
/Ajustamento/Regolazione



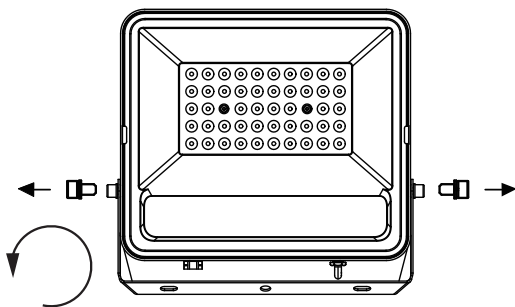
6



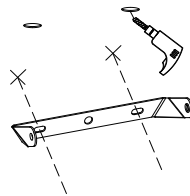
220-240V AC



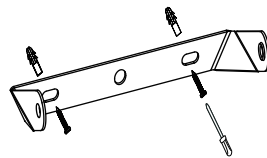
1



2



3



Warranty/ Technical & contact information are all available at www.integral-led.com

IS1051 A



Integral LED is a division of Integral Memory plc.
Unit 6, Iron Bridge Close, Iron Bridge Business Park,
London, NW10 0UF, UK
Integral Europe BV, 2801 DG, NL