

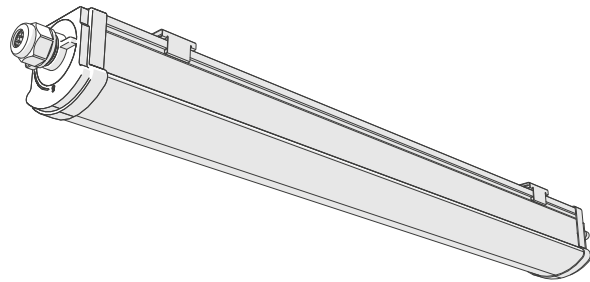
integral™ LED

INSTALLATION INSTRUCTIONS
INSTRUCTIONS D'INSTALLATION
INSTALLATIE INSTRUCTIES
INSTRUCCIONES DE INSTALACIÓN
INSTALLATIONSANLEITUNG
INSTRUKCJE INSTALACJI
INSTRUÇÕES DE INSTALAÇÃO

Agri Pro



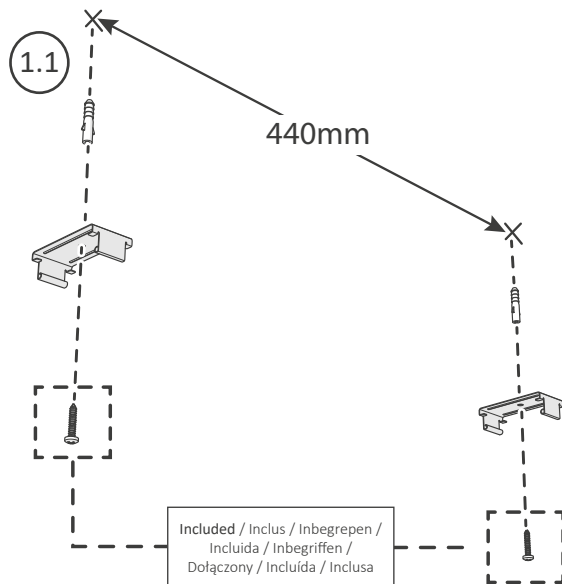
IS 1001



1 Installation / Installation / Installatie / Instalación / Installation / Instalacja / Instalação

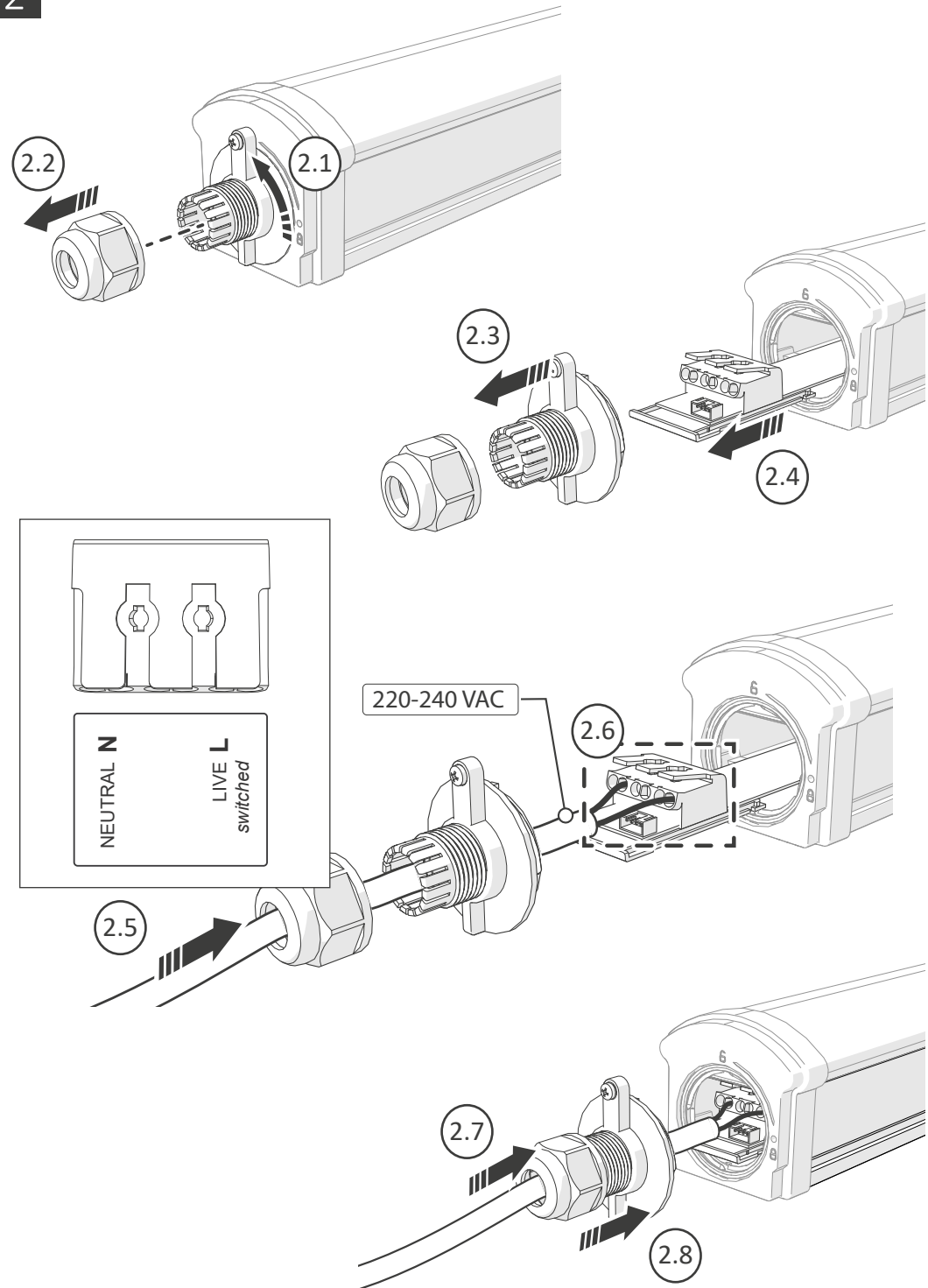


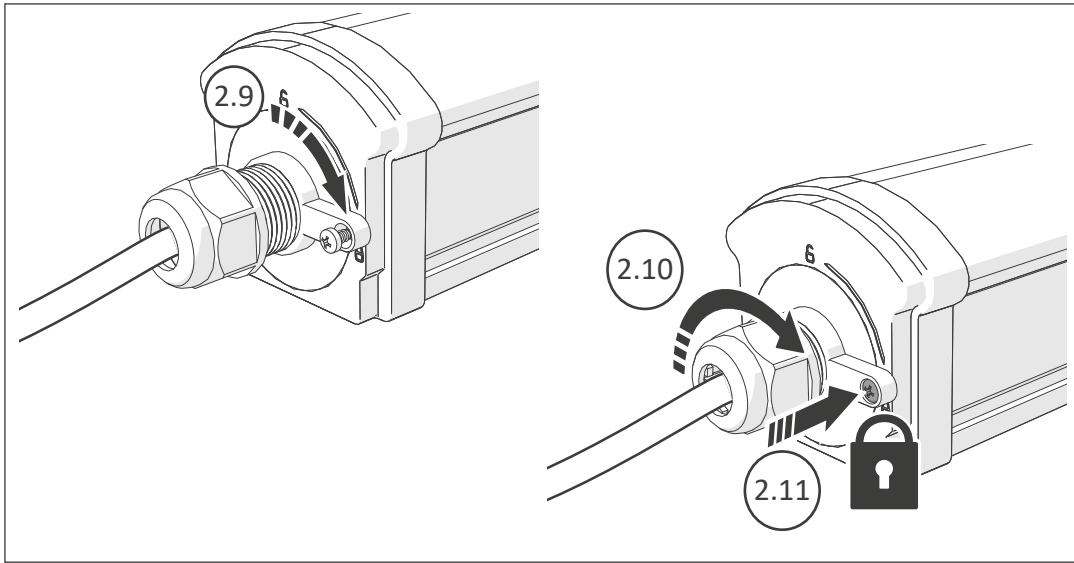
Ø6 x 30mm



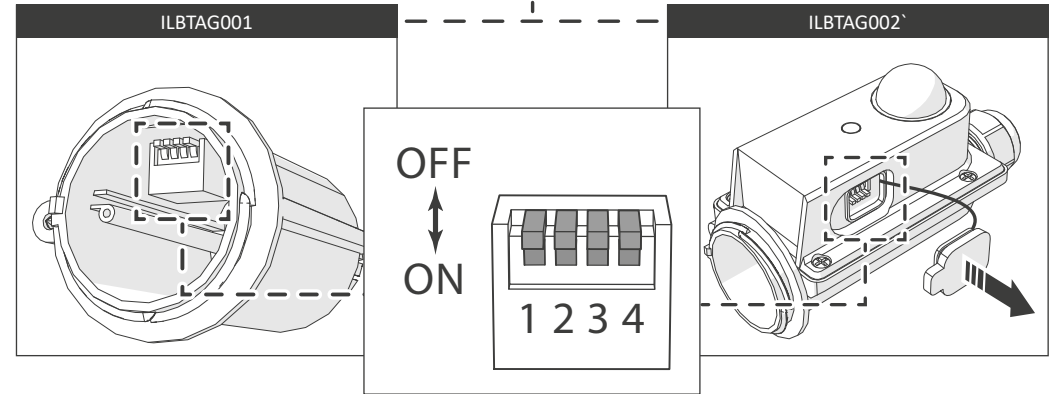
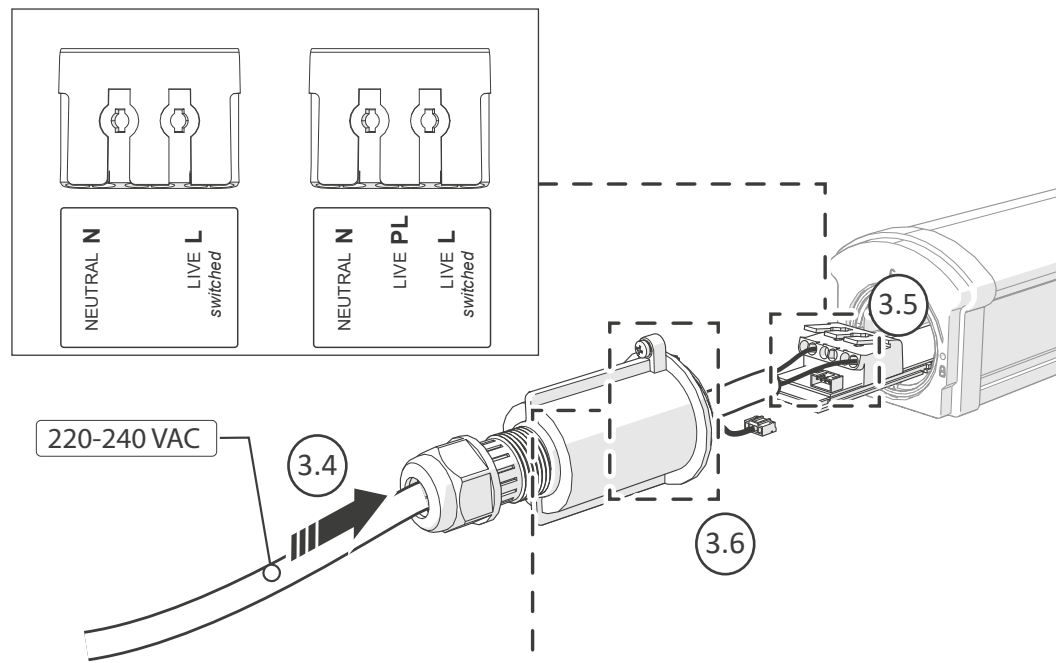
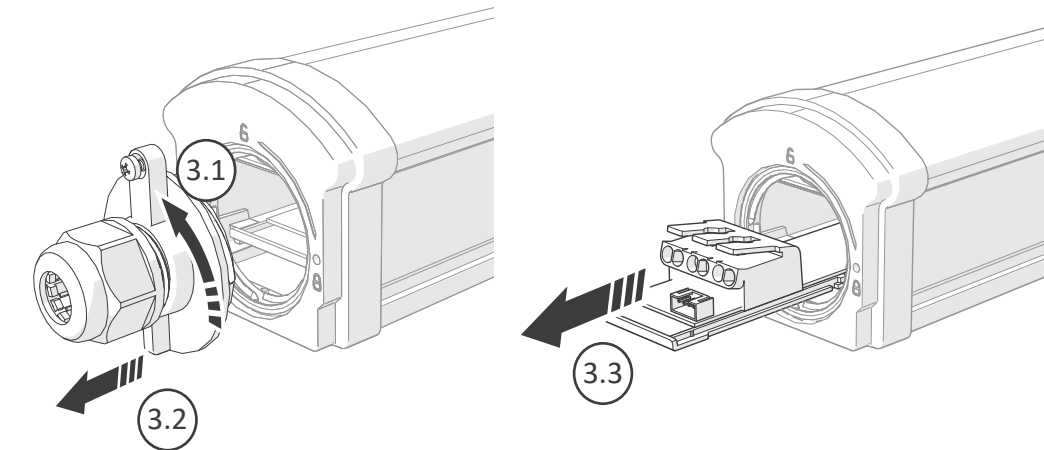
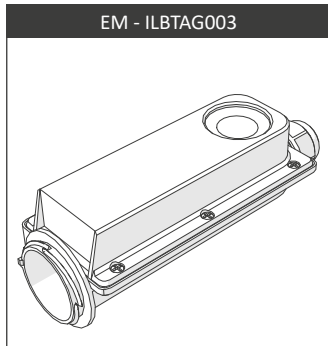
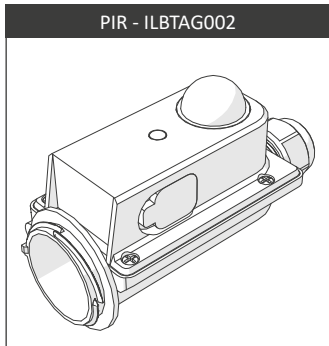
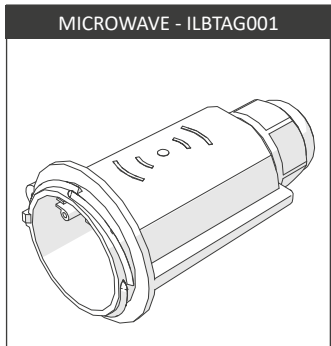
2

Connection / Lien / Verbinding / Conexión / Verbindung / Połączenie / Conexão / Connessione



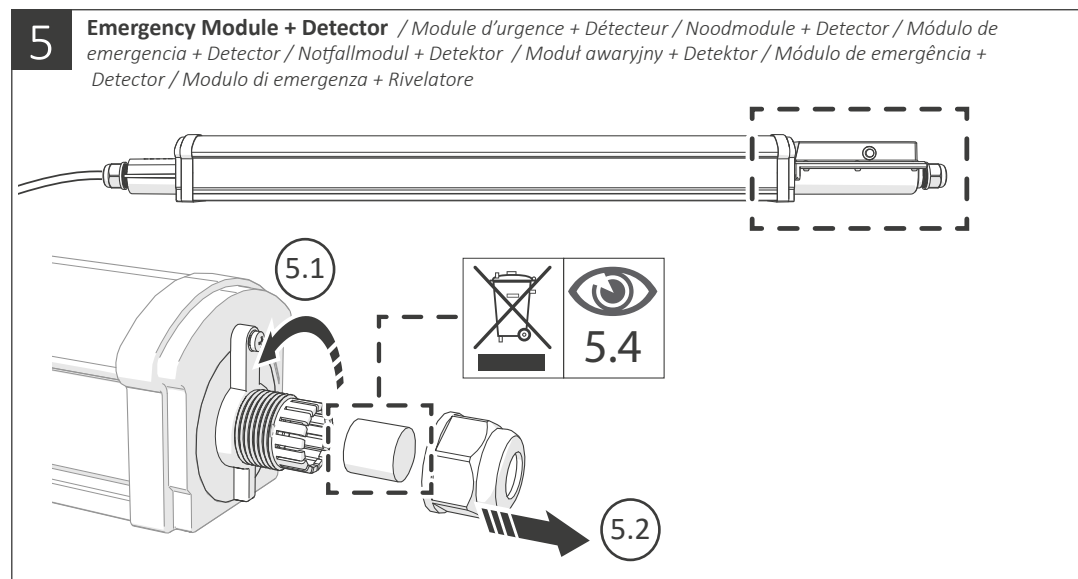
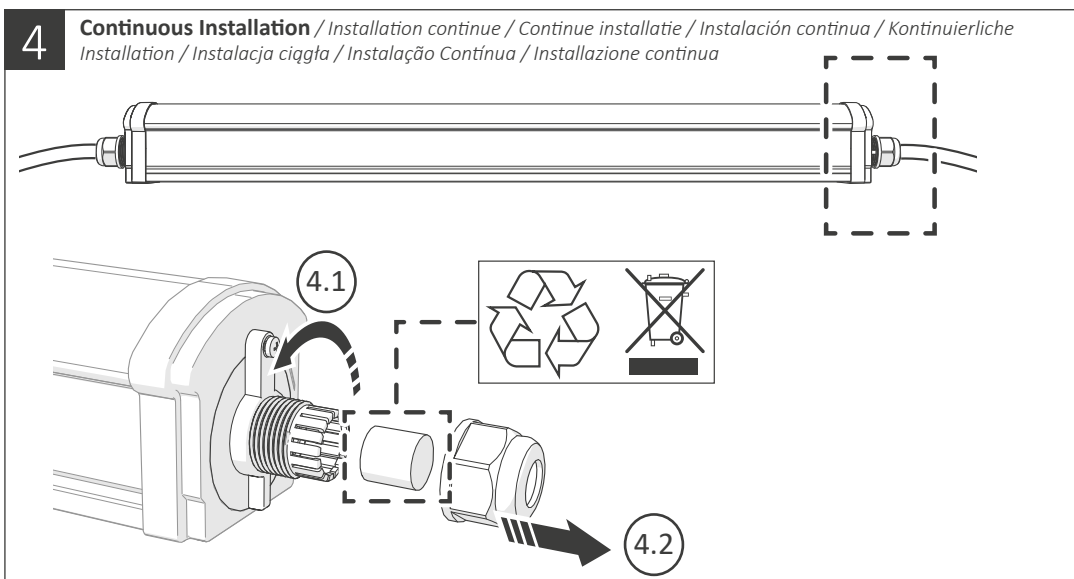
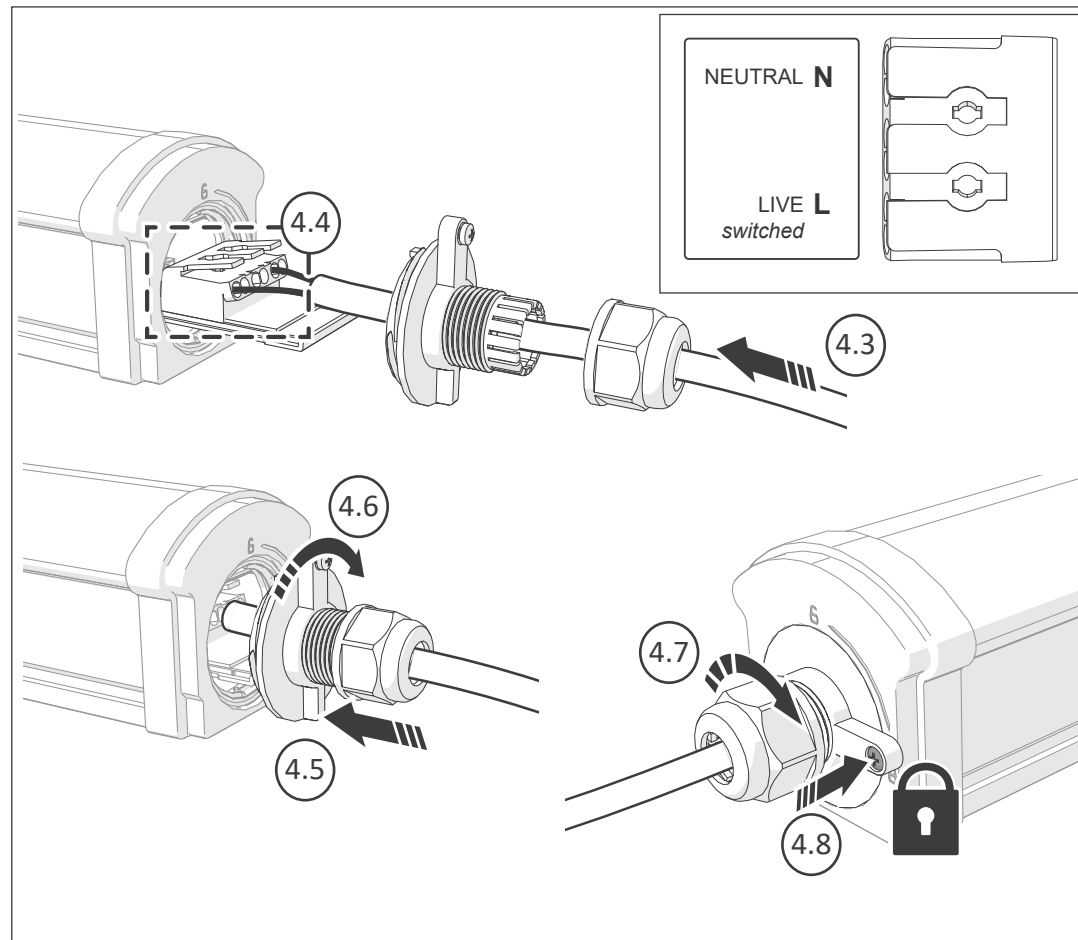
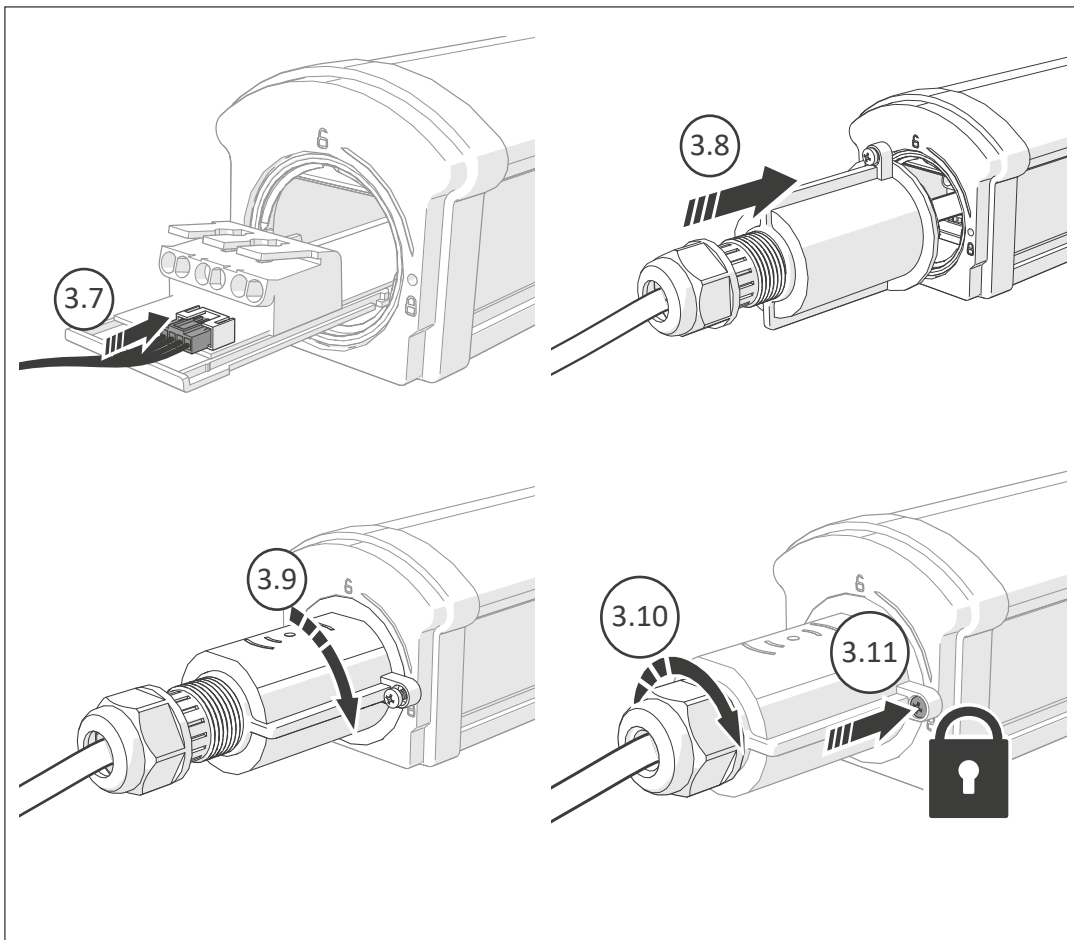


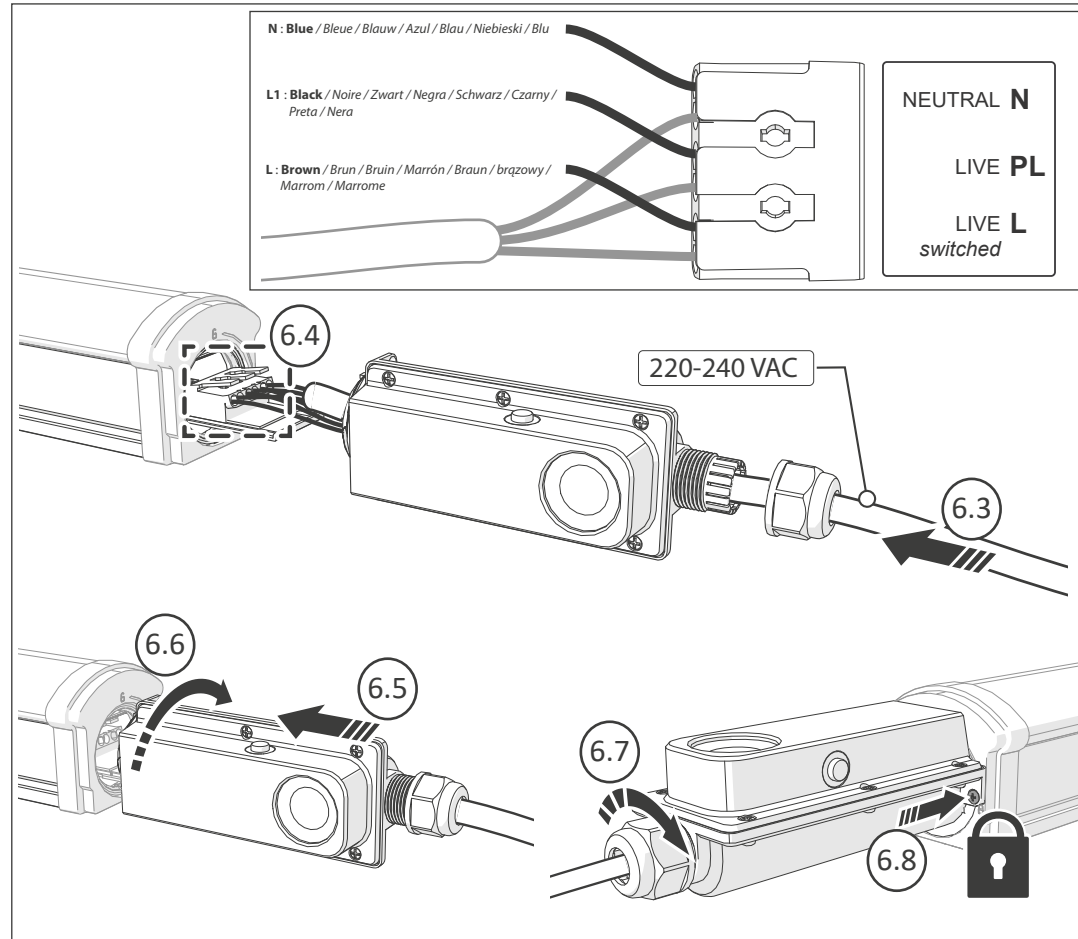
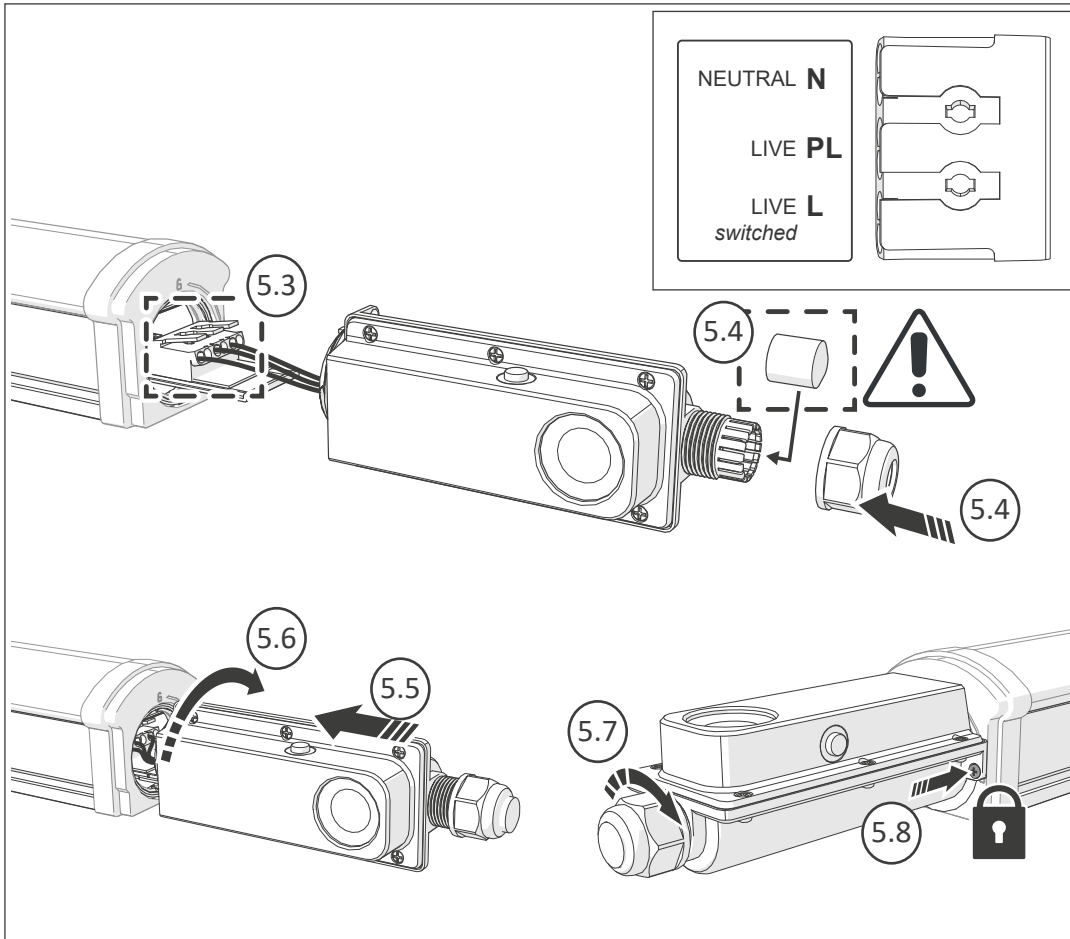
3 Connection - Accessories / Lien - Accessoires / Verbinding - Accessoires / Conexión - Accesorios / Verbindung - Zubehör / Połączenie - Akcesoria / Conexão - Acessórias / Connessione - Accessori



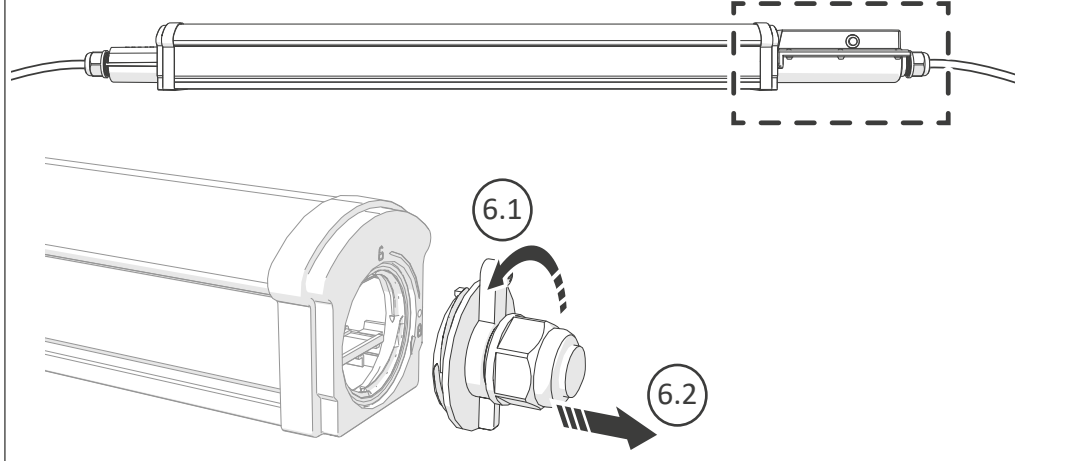
Sensor Function / Fonction de capteur / Sensor Functie / Función de sensor / Sensorfunktion / Funkcja czujnika / Função de sensor / Funzione del sensore

Hold Time	1	2	Standby Output	3	Output (Watts)	4
5 sec.	OFF	OFF	0%	OFF	50%	OFF
30 sec.	ON	OFF	20%	ON	100%	ON
3 min.	OFF	ON				
10 min.	ON	ON				

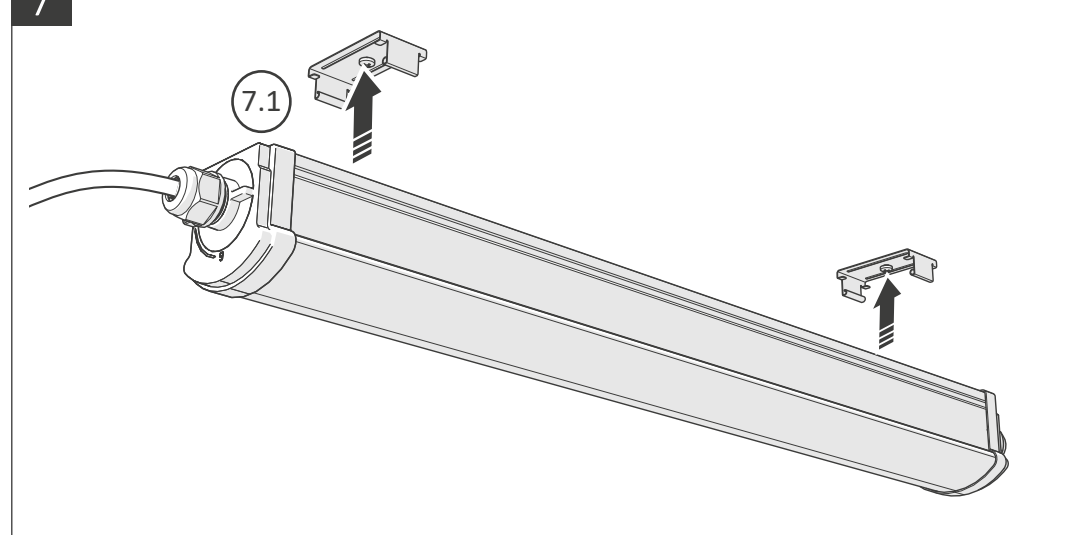


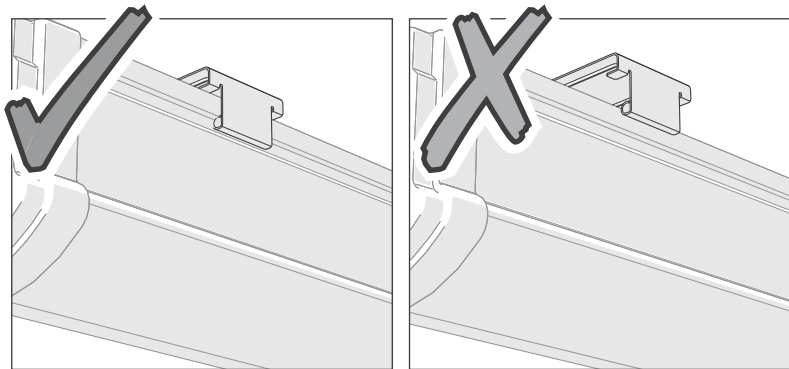
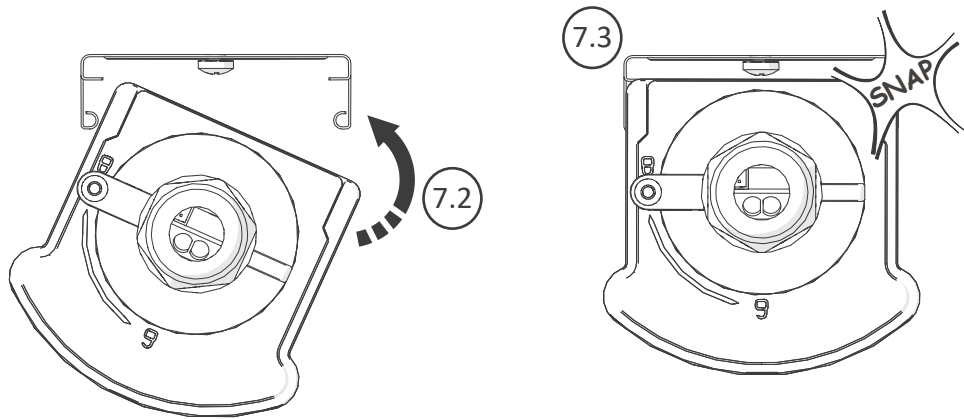


6 Emergency Module + Continuous Installation / Module d'urgence + Installation continue / Noodmodule + Continue installatie / Módulo de emergencia + Instalación continua / Notfallmodul + Kontinuierliche Installation / Moduł awaryjny + Instalacja ciągła / Módulo de emergência + Instalação Contínua / Modulo di emergenza + Installazione continua



7 Installation / Installation / Installatie / Instalación / Installation / Instalacja / Instalação / Installazione

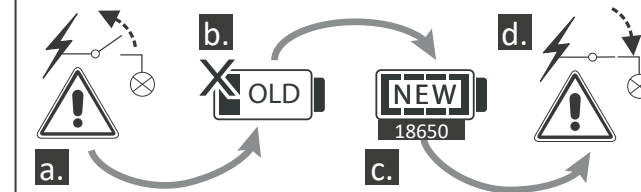




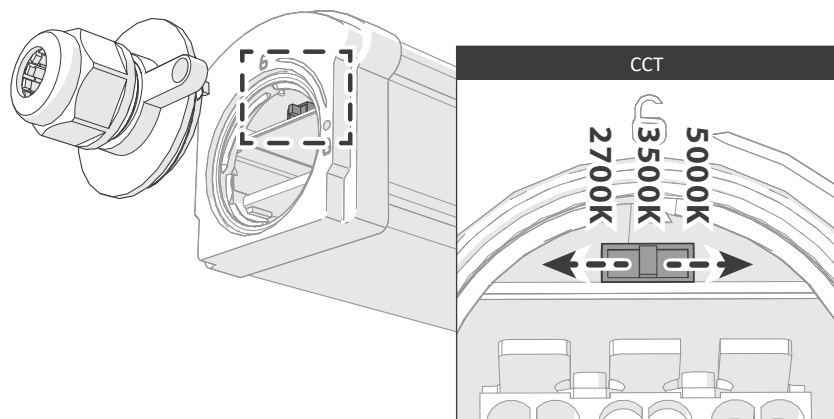
8 Indicator LED / Indicateur LED / Indicator-LED / LED indicador / Anzeige-LED / Wskaźnik LED / LED indicador / Indicare LED

LED	LED Colour	Status
	GREEN / Vert / Groente / Verde / Grün / Zielony	
	GREEN / Vert / Groente / Verde / Grün / Zielony	OR

Replace Battery / Remplacer la batterie / Vervang de batterij / Reemplazar la batería / Batterie austauschen / Wymień baterię / Substitua a bateria / Sostituire la batteria **[3.7V LI-Ion / 2000mA]**



i Additional Settings / Paramètres additionnels / Aanvullende instellingen / Ajustes adicionales / Zusätzliche Einstellungen / Dodatkowe ustawienia / Configurações adicionais / Altre impostazioni



Ref / Location	In case of difficulty, contact the Installation Engineers:

Full Recharge Time 24 Hours	Duration 3 Hours
-----------------------------	------------------

TEST RECORD						
	Year 1		Year 2		Year 3	
Monthly Test	Signed	Date	Signed	Date	Signed	Date
Functional						
Functional						
Functional						
Functional						
Functional						
Functional						
Functional						
Functional						
Functional						
Functional						
Functional						
Functional						
Three Hour						

Warranty/ Technical & contact information are all available at www.integral-led.com



Integral LED is a division of Integral Memory plc:
 Unit 6, Iron Bridge Close, Iron Bridge Business Park,
 London, NW10 0UF, UK
 Integral Europe BV, 2801 DG, NL