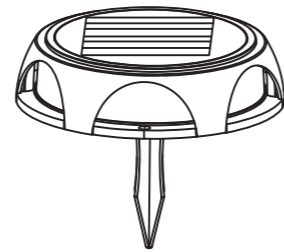


ILSGDB010

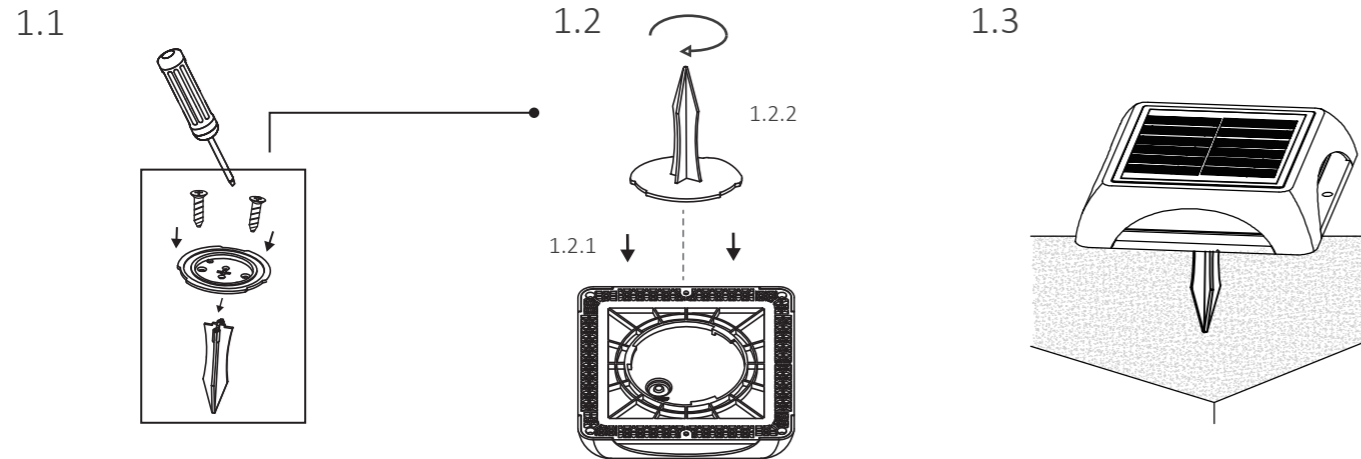


ILSGDB011

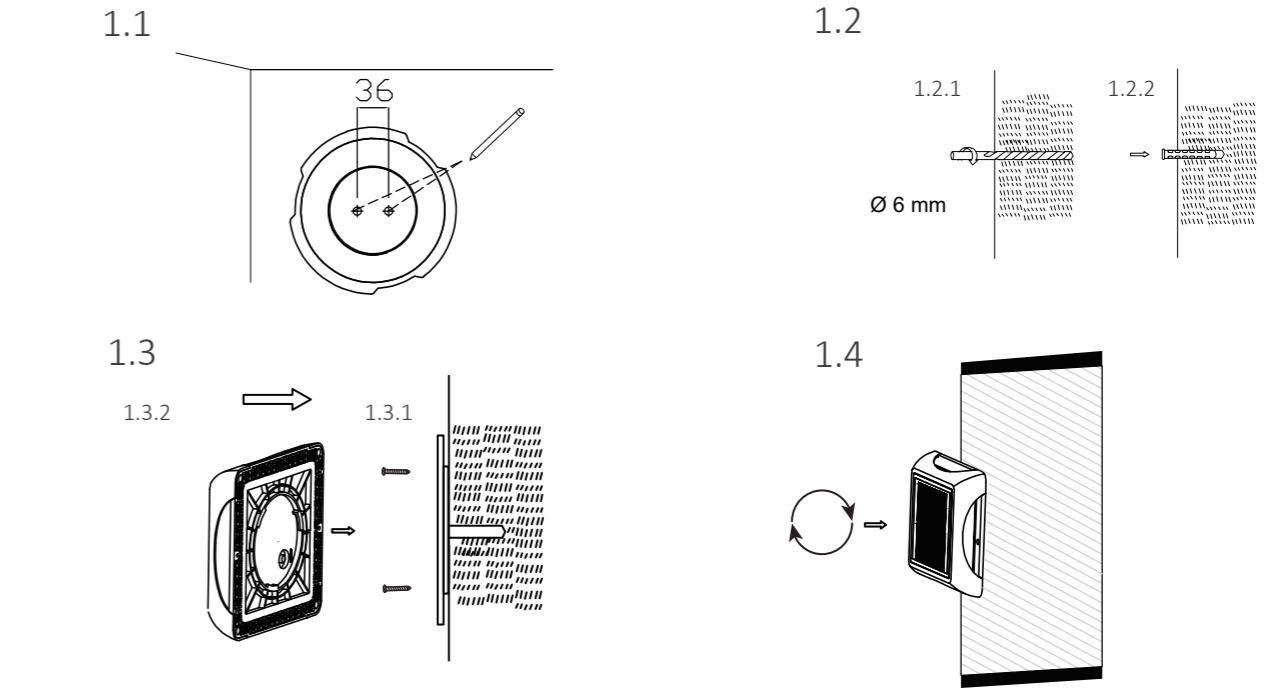
1 Installation / Installation / Installatie / Instalación / Installation / Instalacja / Instalação

ILSGDB010

a

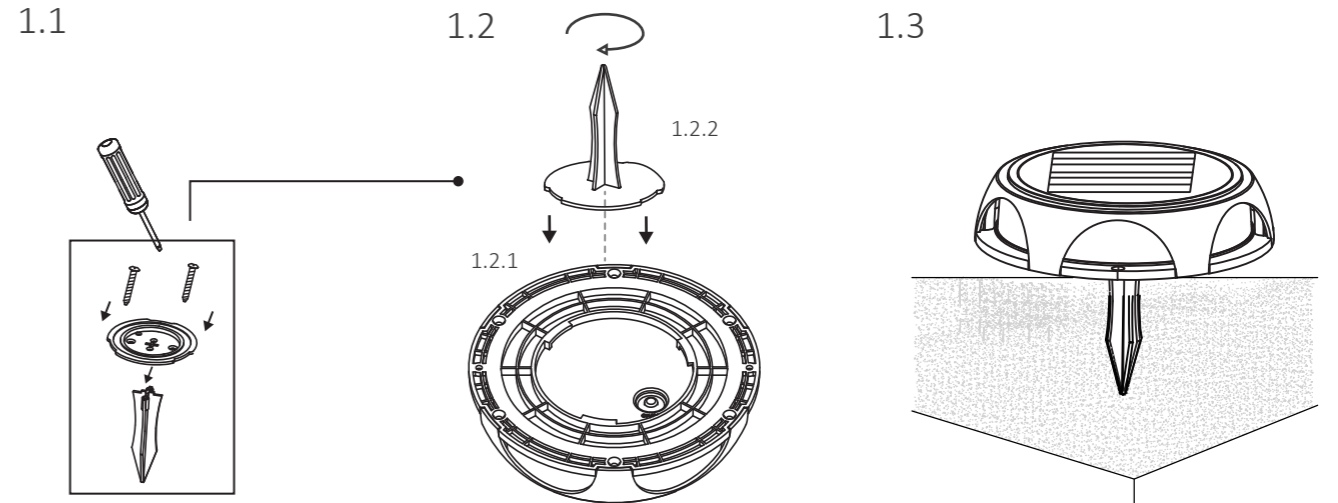


b

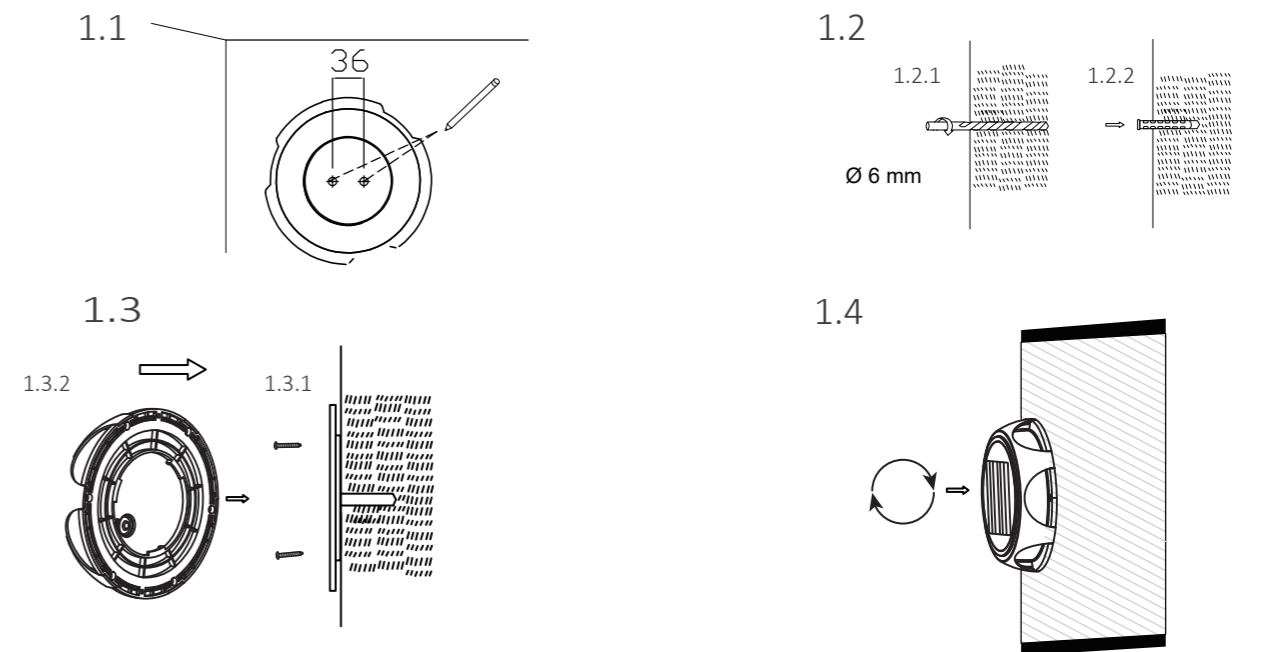


ILSGDB011

a



b

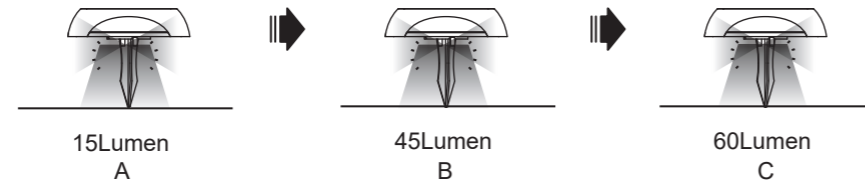
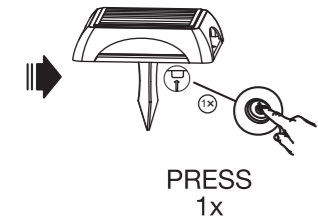
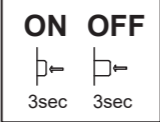
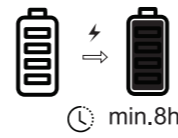


2 Function / Fonction / Functie / Función / Funktion / Funkciji / Função

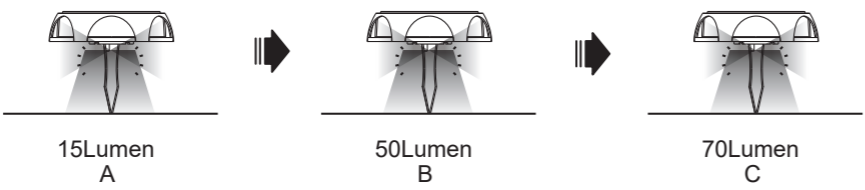
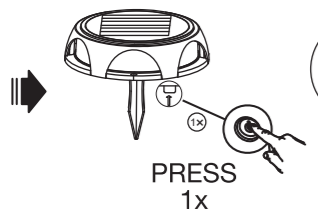
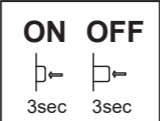
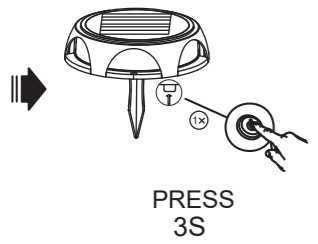
ILSGDB010



Before first use



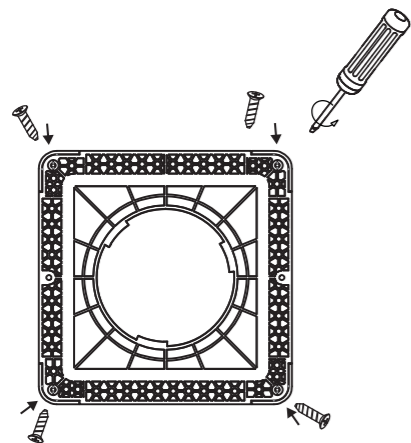
ILSGDB011



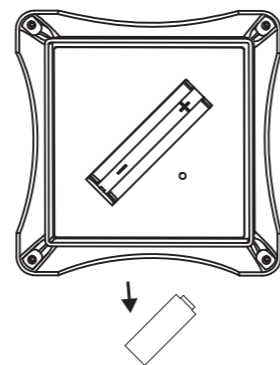
3 Replaceable battery / Batterie remplaçable / Vervangbare batterij / Bateria reemplazable / Austauschbarer Akku / Wymienna bateria / Bateria substituível

ILSGDB010

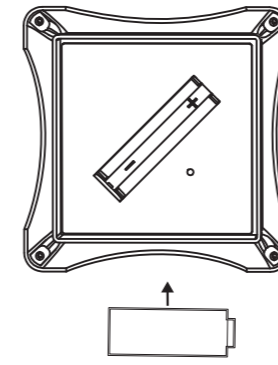
3.1



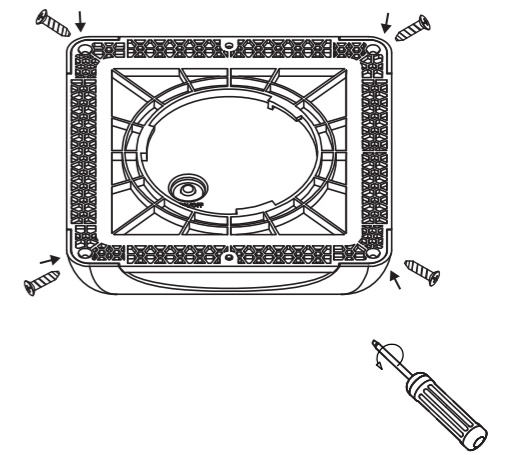
3.2



3.3

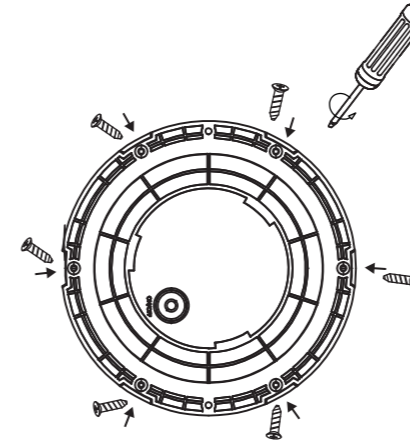


3.4

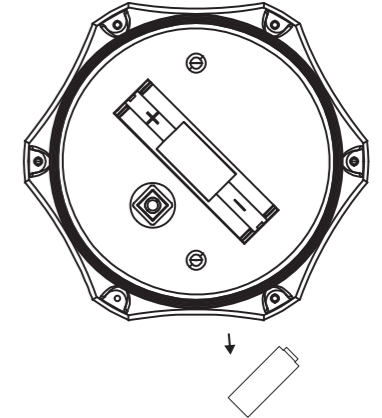


ILSGDB011

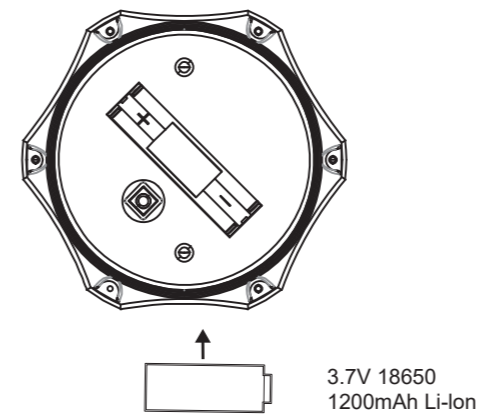
3.1



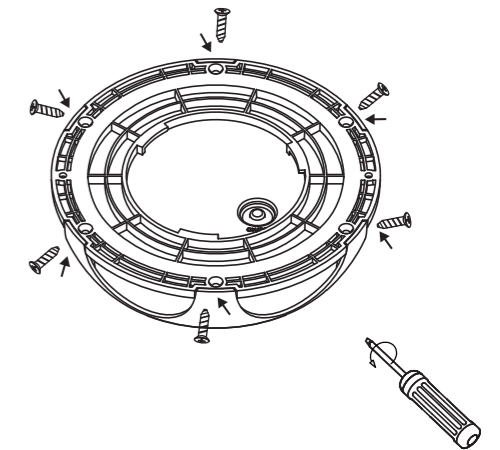
3.2



3.3



3.4



Warranty/ Technical & contact information are all available at www.integral-led.com

ILSGDB010_V1



Integral LED is a division of Integral Memory plc:
Unit 6, Iron Bridge Close, Iron Bridge Business Park,
London, NW10 0UF, UK
Integral Europe BV, 2801 DG, NL