

Exterior Garden Lights - Low Voltage LED Spike Lights



IS 1001



WHOLE
KIT



SINGLE
LIGHT

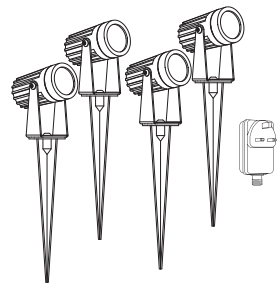


IP
65

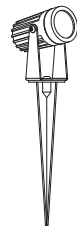


+45°C

-10°C



ILDEL079



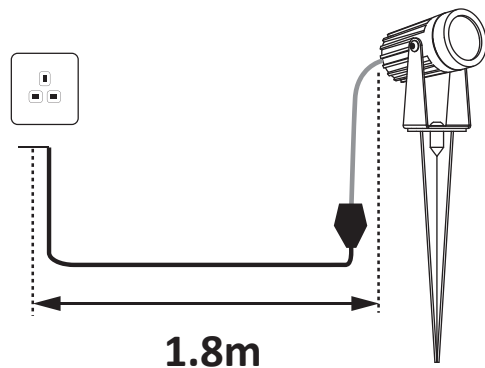
ILDEL080



ILDELA082

1

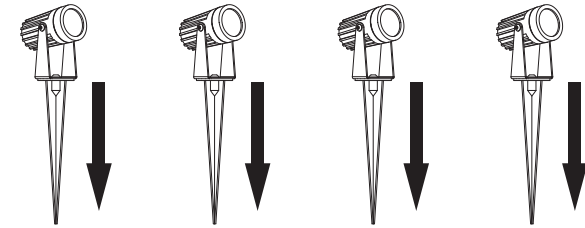
ILDEL079



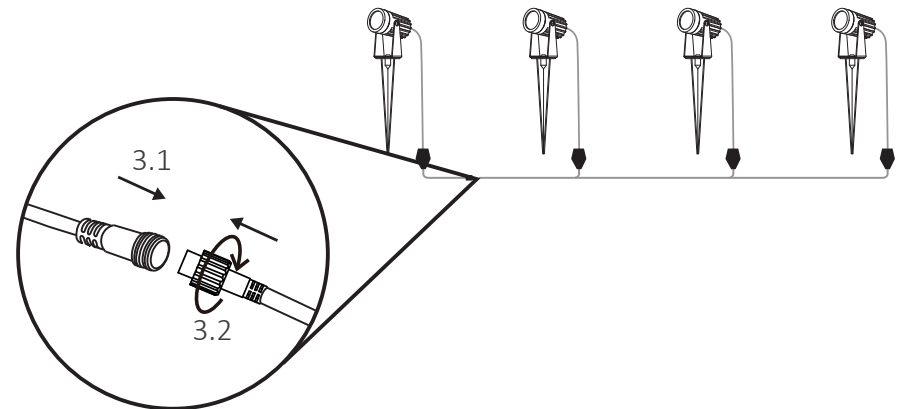
1.8m

Distance from socket to first spike can be extended with the use of the 2 metre extension cable, please see following page.

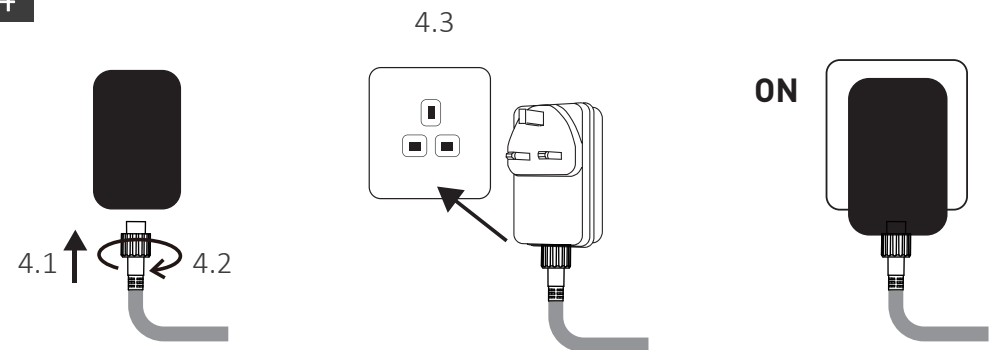
2



3



4



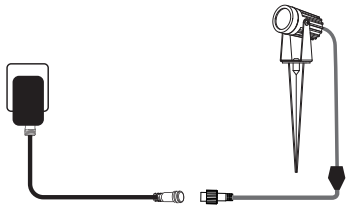
Connect indoors or into a suitable IP rated external socket or weatherproof box.

ILDELA082



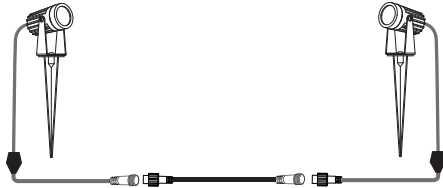
2m

1



Extend length between adaptor/socket to the beginning of spike can be a maximum of 10 meters (5 x ILDELA082)

2

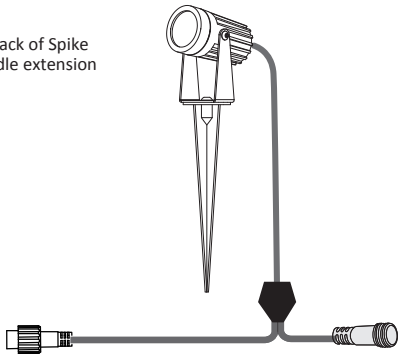


Extend length between spike lights can be a maximum of 2 metres (1 x ILDELA082).

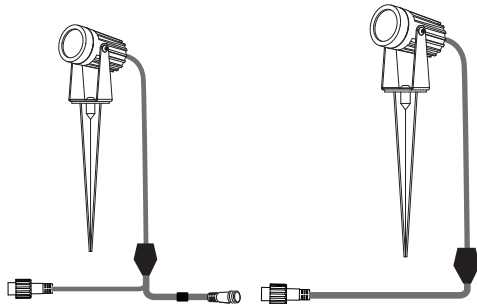
1

ILDELO80

Single Pack of Spike for middle extension



2



Maximum quantity of LED Spike Light to one 24W adaptor is 8 spikes in total. Max add 4 single spike to your ILDELO79. Single pack cannot be used for end or start of spike.

Attention:

Maximum circuit length 38.4 metres including 8 LED spike lights!

To increase the spike quantity, please use single pack extension spike only!