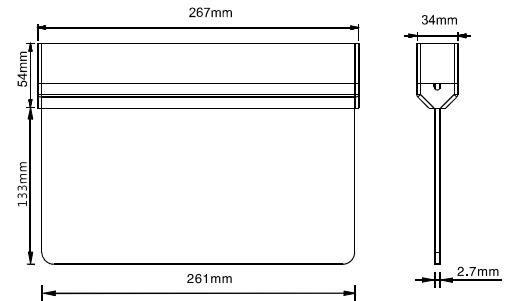




## Installation Instructions for Integral Multi-fit 26m Emergency Exit Sign

Product Code	Included:
<b>ILEMES030</b> 1W 26m Maintained or non-maintained Emergency Exit Sign	4x Screws (M3*6mm) 4x Screws (M3.5*34mm) 4x Plastic expansion screws (M5.8*29mm) 2x Mounting brackets



Thank you for purchasing an INTEGRAL LED product. When installed correctly this unit will provide years of service. For support or warranty information please see [integral-led.com](http://integral-led.com).

### IMPORTANT DETAILS – Please read prior to installation

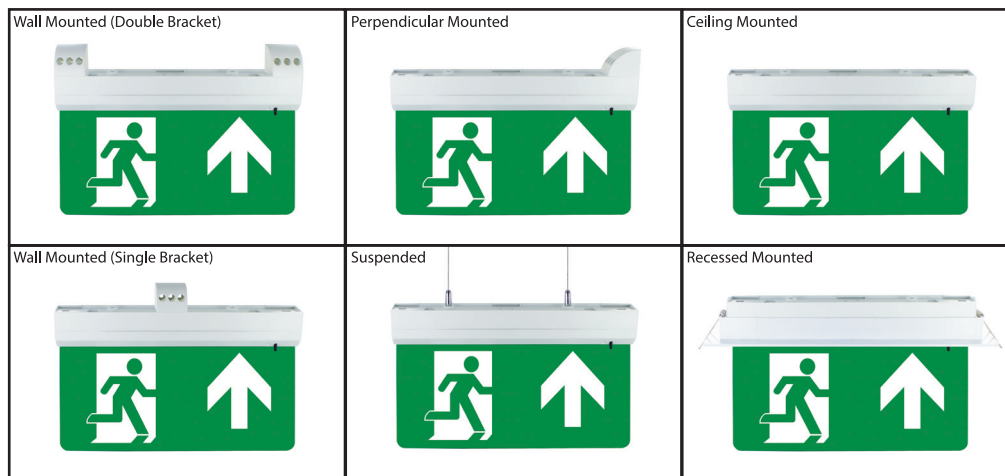
1. This product must be installed by a qualified electrician in accordance with instructions provided and in compliance with recognised electrical and safety regulations relevant to the country it is being installed.
2. The product and its associated control gear are designed to operate on 220-240V AC 50Hz.
3. This emergency LED exit sign is to be installed according to the installation guide.
4. This product is for indoor use only and it should not be covered with insulation material.
5. This emergency product contains a LiFePO4 3.2V 600mAh battery.
6. A permanent live connection is required for this emergency product to operate normally.
7. This product must be operated between 0°C and +40°C.
8. **This product is a Class II device.**
9. To maintain the integrity of the battery and the battery design life, this product should be installed within 6 months of purchase. If not installed and charged within six months, we advise the product is connected to live supply and receives a full 24hours] charge. This to be repeated regularly once every six months until installation.

### INSTALLATION: DANGER!

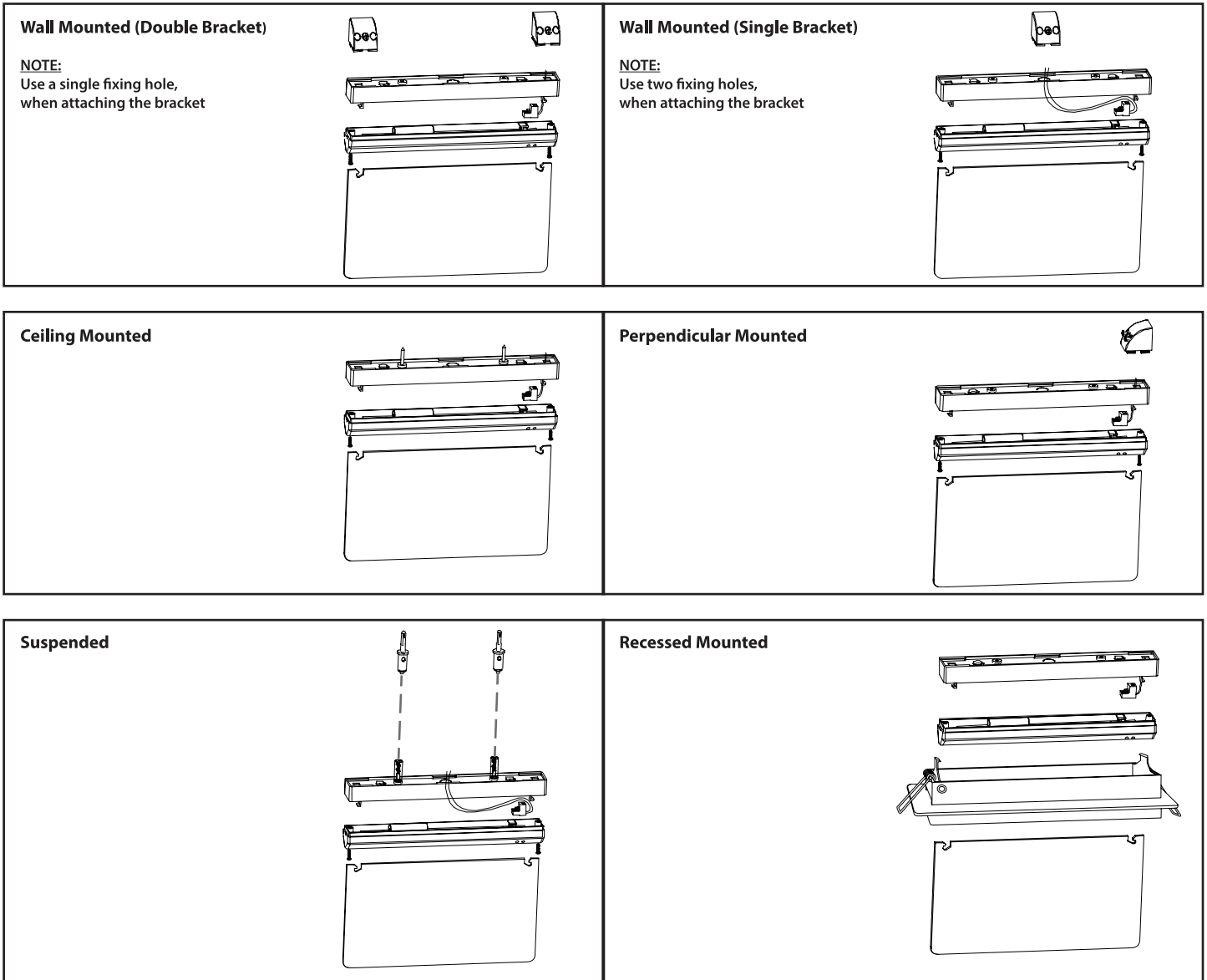
**Please ensure you isolate live supplies (permanent and switched) before you undertake any work on the emergency fitting. Note that a switched supply may be connected to the emergency LED exit sign.**

### INSTALLATION INSTRUCTIONS:

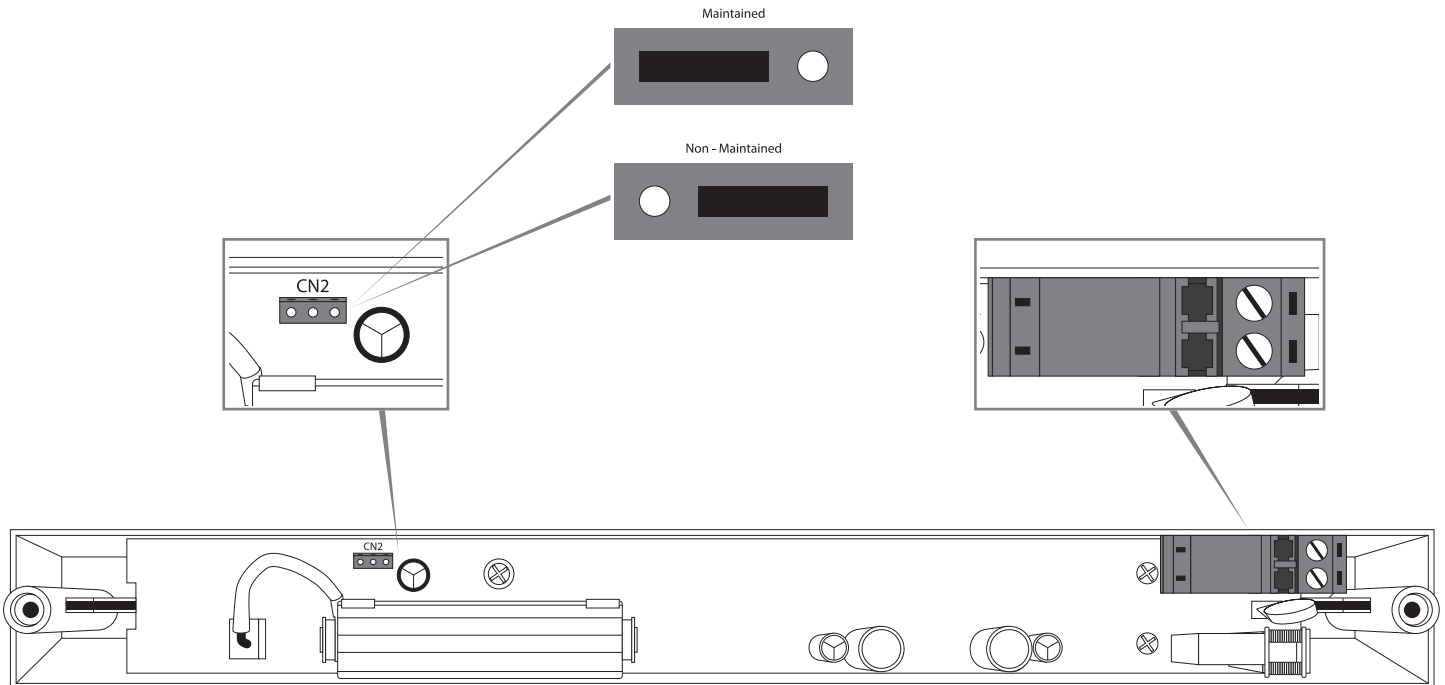
1. Ensure the AC/mains power is not connected and cannot be reconnected during installation.
2. This product comes with 6 mounting options. Choose your mounting option and clear a position for the emergency LED exit sign to be placed.



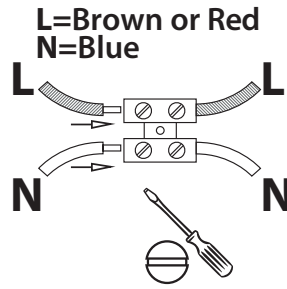
3. This product must be securely fixed to the mounting surface using the brackets, screws and wall plugs supplied. The screws and wall plugs are suitable for "masonry" only.
4. Accessories for recessed and suspended mounting are supplied separately and must be purchased.
5. ILEMES030 comes without a signage blade. Please order the required signage blade to meet your needs.
6. Remove the multi-fit emergency body unit from the packaging carton.
7. Remove the two securing screws and separate the two sections of the multi-fit emergency body
8. Take the upper section and prepare for mounting:



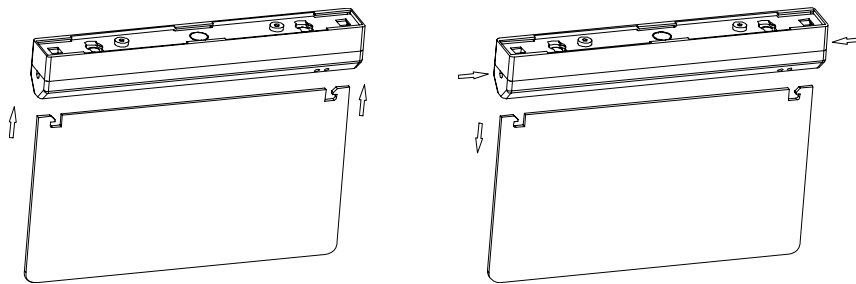
9. Connect battery to battery socket and mark the installation date next to the battery using permanent marker.
10. For maintained mode place the short-circuit plug on pin 1 and 2.
11. For non-maintained mode place the short-circuit plug on pin 2 and 3.



12. Remove the live/neutral connector plug from the main PCB
13. Connect a permanent mains supply to L terminal. Connect the neutral supply to the N terminal.



14. Reconnect the connector plug to the main PCB.
15. Secure the sections of the multi-fit emergency body using the screws provided.
16. Fix the signage blade of your choice into the main body. Push from below until each end has clicked in place. To alter or change the blade once fixed use a small flat blade screwdriver. Insert screwdriver in position shown to loosen the blade at each side of the main body.



17. Switch power on.
18. A green LED indicator light will be present to show that the batteries are charging. Full charge can take up to 24 hours. On first installation, ensure fittings have received a full 24 hours charge before testing.
19. When there is power supplied to the product and the LED indicator light is off it shows that there is a battery failure. Review battery connection and replace battery if fault remains.

**When powered by a permanent mains supply, the battery will be constantly charged.**

On failure of the permanent mains supply, the fitting will switch automatically from battery charging to battery discharge powering the Multi-Fit 26m Emergency Exit Sign. For replacement battery unit please contact [Integral-LED.com](http://Integral-LED.com)

**SIGNAGE BLADES AND ACCESSORIES TO BE PURCHASED SEPARATELY**

Integral Product Code	Description
IEMAL032	EM Exit Sign Blade (Up)
IEMAL033	EM Exit Sign Blade (Down)
IEMAL034	EM Exit Sign Blade (Right)
IEMAL035	EM Exit Sign Blade (Left)
IEMSK037	Suspension Kit
IEMSK038	Recessed Kit
IEMAL039	EM Exit Sign Blade Left/Right double sided



This luminaire conversion kit is designed according to BS EN 60598-2-22

**WASTE ELECTRICAL PRODUCTS SHOULD NOT BE DISPOSED OF WITH HOUSEHOLD WASTE. PLEASE RECYCLE WHERE FACILITIES EXIST. CHECK WITH YOUR LOCAL AUTHORITY FOR RECYCLING ADVICE.**

Integral LED is a division of Integral Memory plc:  
Unit 6, Iron Bridge Close,  
Iron Bridge Business Park,  
London, NW10 0UF, UK

Warranty/Technical and contact information are all available at [www.integral-led.com](http://www.integral-led.com)

Test Schedule to record monthly functional test and yearly 3 hour duration test.

All testing should be planned and incorporated as part of a managed programme with appropriate risk assessment to ensure operational emergency function is not compromised during testing.

Panel Ref/Location  .....	In case of difficulty, contact the Installation Engineers:  ..... tel. ....					
Full Recharge Time 24 Hours			Duration 3 Hours			
TEST RECORD						
	Year 1		Year 2		Year 3	
Monthly Test	Signed	Date	Signed	Date	Signed	Date
Functional						
Functional						
Functional						
Functional						
Functional						
Functional						
Functional						
Functional						
Functional						
Functional						
Functional						
Functional						
Three Hour						

**The battery should be reviewed for replacement after 4 years of installation.**



All Trademarks Acknowledged

Integral LED is a division of Integral Memory plc:  
Unit 6, Iron Bridge Close,  
Iron Bridge Business Park,  
London, NW10 0UF, UK