



## INSTALLATION INSTRUCTION

### Precision Pro RGBW Floodlight

The floodlights in this range are RED GREEN BLUE and WHITE colour changing  
Method to change colour is via a supplied DMX controller

Product Code	Wattage	Beam Angle
ILFLRGBW001	80W	30°
ILFLRGBW002		60°
ILFLRGBW003		90°
ILFLRGBW004		120°
ILFLRGBW005		85°x135°
ILFLRGBW006		60°x135°
ILFLRGBW011	100W	30°
ILFLRGBW012		60°
ILFLRGBW013		90°
ILFLRGBW014		120°
ILFLRGBW015		85°x135°
ILFLRGBW016		60°x135°

Product Code	Wattage	Beam Angle
ILFLRGBW021	120W	30°
ILFLRGBW022		60°
ILFLRGBW023		90°
ILFLRGBW024		120°
ILFLRGBW025		85°x135°
ILFLRGBW026		60°x135°
ILFLRGBW031	300W	30°
ILFLRGBW032		60°
ILFLRGBW033		90°
ILFLRGBW034		120°
ILFLRGBW035		85°x135°
ILFLRGBW036		60°x135°

**Thank you for purchasing an INTEGRAL LED product. When installed correctly this unit will provide years of service. For support or warranty information please see [integral-led.com](http://integral-led.com).**

#### Important Details – Please read prior to installation

1. Installation must be completed by a qualified electrician in accordance with all recognised local and national electrical and construction regulations.
2. Ensure that the power is OFF during installation and that power cannot be unexpectedly reconnected.
3. The light fitting is designed to operate with a 100V-240V 50Hz/60Hz electricity supply. Do not use the light fitting if damaged or if the LED protective cover is missing or damaged. Do NOT open the driver cover on the rear of the unit or remove the front protective cover. There are no serviceable parts inside.
4. This light fitting is rated IP65 (see Technical Features table) – suitable for indoor and outdoor use, on industrial and commercial applications, e.g. entrances, garages, parking areas, corridors etc.
5. Do NOT cover the light source or heat-sink.
6. To avoid damage; do NOT lift, carry or let the light fitting hang by its cable.
7. Suitable to be mounted on solid flat surfaces and lighting masts. U-shape bracket supplied as standard; other mounting options available can be found in our website or with your supplier.
8. Failure to comply with the recommendations and instructions provided herein may cause damage to the light fitting or present a risk of injury or death (e.g. short-circuit, fire, burns or electric shock). Any modifications to the light fitting, incorrect installation or unsuitable positioning may be dangerous to users and may cause the warranty to become void.
9. Figure images are for illustrative purposes only. Please note the size of the luminaire differs depending on product wattage.

#### Installation Instructions

10. Ensure that the power is OFF during installation and that power cannot be unexpectedly reconnected.
11. Fix the bracket / Pole Mounting on its definite position, regarding the fixing points dimensions indicated on figure 1. Fixing accessories are not supplied. Please consider the specific environment characteristics where you are installing the floodlight to select the adequate fixing devices (salty, humidity, causticity, acidity, temperature)
12. Please consider the structure you are fixing the product to and ensure it can bear the weight of the floodlight before installation, keeping in mind the effects of wind resistance.
13. Once the bracket is fixed, aim the LED floodlight ensuring the appropriate angle so the area you wish to illuminate is properly covered (fig 2). Ensure bolts are tight on both sides of the bracket after aiming the product adequately.
14. If needed, a glare shield is available as an accessory. Please, check our website for product details.
15. All floodlights are supplied with 2 meters cable H05RN-F 3x1.00mm<sup>2</sup> (fig 3) to connect the floodlight to mains.
16. Use of a suitable junction box or connector providing installed IP65 rating (or greater) is required to connect the floodlight cable to the mains. Please pay special attention to the cable polarity and earth.
17. Connect the floodlight to the controller using the supplied 2m signal cable with male-female connectors (fig 3). Extension signal cables are available; please, check our website for product details.
18. The floodlight is a CLASS I device – an EARTH connection is MANDATORY.
19. Check connections and switch power ON when safe to do so.

Fig.01

### Hole dimension

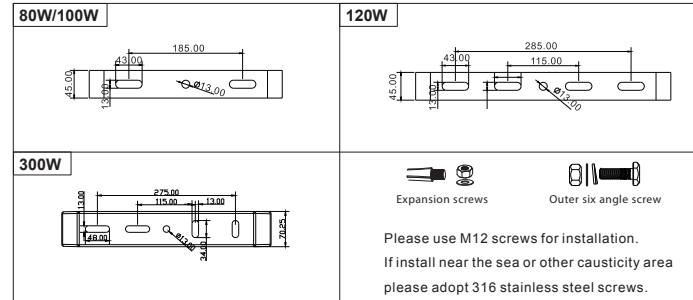


Fig.02

### Adjustable Bracket Mounting

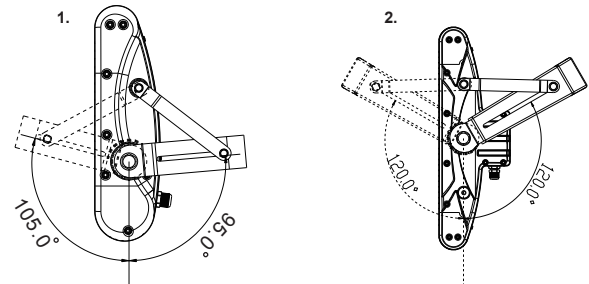
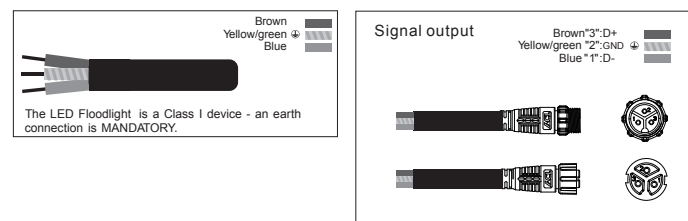


Fig.03

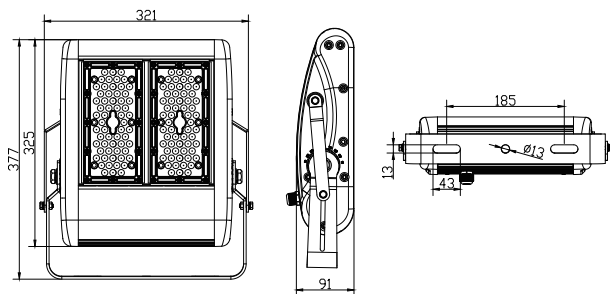
### Wiring Diagram



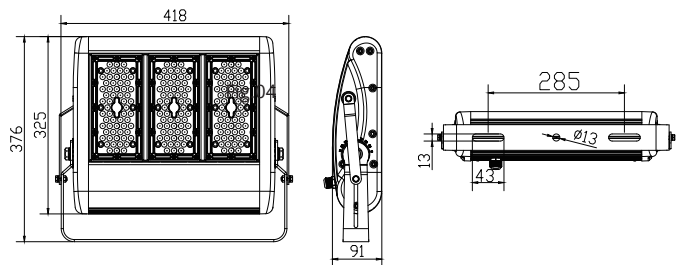
### Packaging Data

Model No	Carton Size	Pcs/CTN	N. W. / pcs (kg)	G. W. /CTN (kg)
80W	450x390x170mm	1PC	5.6	6.5
100W	485x450x170mm	1PC	6.0	7.5
120W	590x450x170mm	1PC	7.0	8.0
300W	690x450x170mm	1PC	12.5	14.0

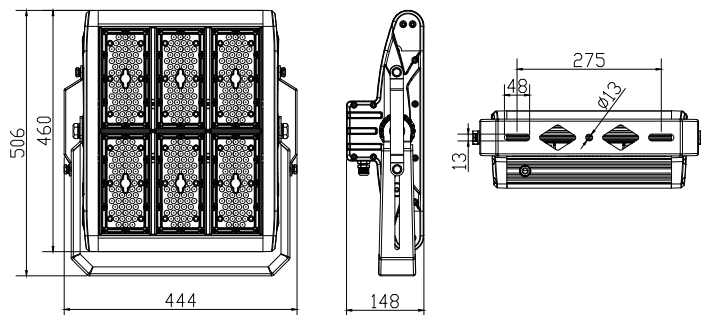
### 80W/100W



### 120W



### 300W



### Technical Features

IP Rating	IP67
IK Rating	IK10
Voltage	100-240V 50/60Hz
Power Factor	>0.95
Inrush Current	60 A
Surge Protection	3.75KV
Wave length	R: 620-625nm G: 526-530nm B: 455-460nm W: 5000K
Working Temperature	-30° to +45°C
Storing Temperature	-40° to +65°C



RoHS



IP Rating



IK Rating

Warranty/Technical and contact information are all available at

[www.integral-led.com](http://www.integral-led.com)

Integral LED is a division of Integral Memory plc,  
Unit 6 Iron Bridge Close, Iron Bridge Business Park,  
London, NW10 0UF, UK



WASTE ELECTRICAL PRODUCTS SHOULD NOT BE DISPOSED OF WITH HOUSEHOLD WASTE. PLEASE RECYCLE WHERE FACILITIES EXIST. CHECK WITH YOUR LOCAL AUTHORITY FOR RECYCLING ADVICE.