

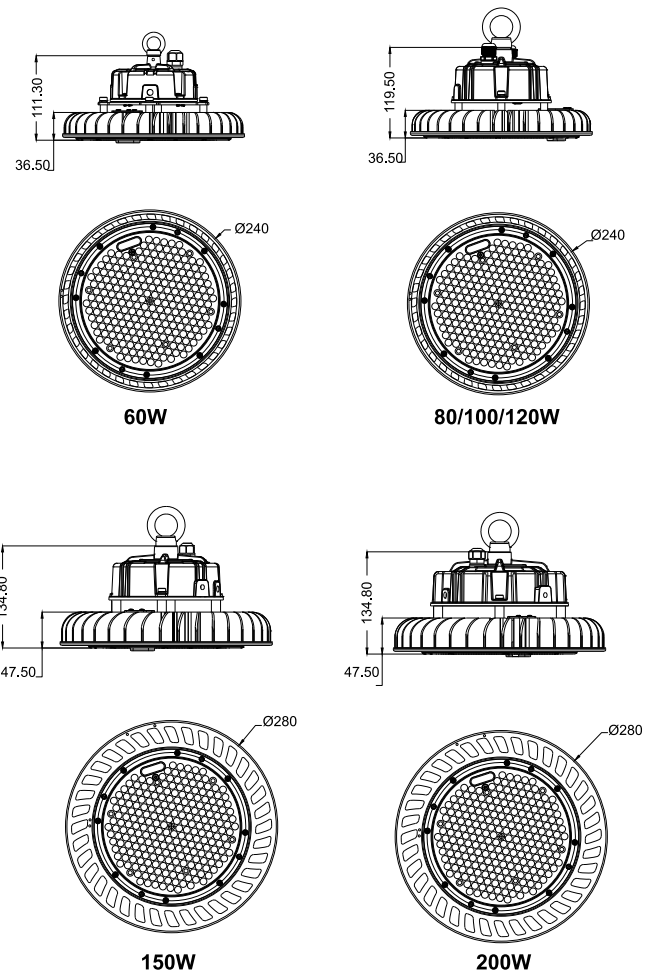


Installation Instructions for Perform High Bays

Thank you for purchasing an INTEGRAL LED product. When installed correctly this unit will provide years of service. For support or warranty information please see integral-led.com.

Product Code	Power (W)	Net Weight (Kg)
ILHBC200	60	2.10
ILHBC202	80	2.35
ILHBC204	100	2.35
ILHBC206	120	2.35
ILHBC208	150	3.20
ILHBC210	200	3.20
ILHBC220	60	2.10
ILHBC222	80	2.35
ILHBC224	100	2.35
ILHBC226	120	2.35
ILHBC228	150	3.20
ILHBC230	200	3.20
ILHBC240	60	2.10
ILHBC242	80	2.35
ILHBC244	100	2.35
ILHBC246	120	2.35
ILHBC248	150	3.20
ILHBC250	200	3.20
ILHBC260	60	2.10
ILHBC262	80	2.35
ILHBC264	100	2.35
ILHBC266	120	2.35
ILHBC268	150	3.20
ILHBC270	200	3.20

Dimensions:



Eye Ring Dimensions			
Power	Thread	Internal Ø	External Ø
60W	M8	19.3mm	34.0mm
80W/100/120W	M10	25.0mm	41.5mm
150W/200W	M12	28.8mm	48.6mm

Technical Characteristics	
Input Voltage	100-277V 50/60Hz
Power Factor	> 0.92
Surge Protection	CM 4KV, DM 4KV
IP Rating	IP65
IK Rating	IK08
Op. ambient temp.	< 45°C

Ensure that the power is OFF during installation and that power cannot be unexpectedly reconnected

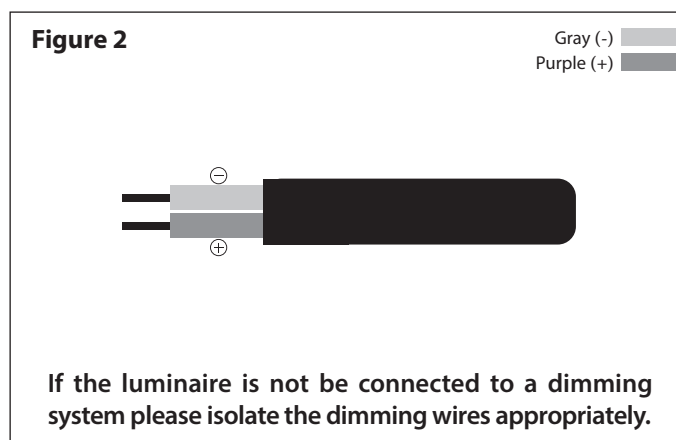
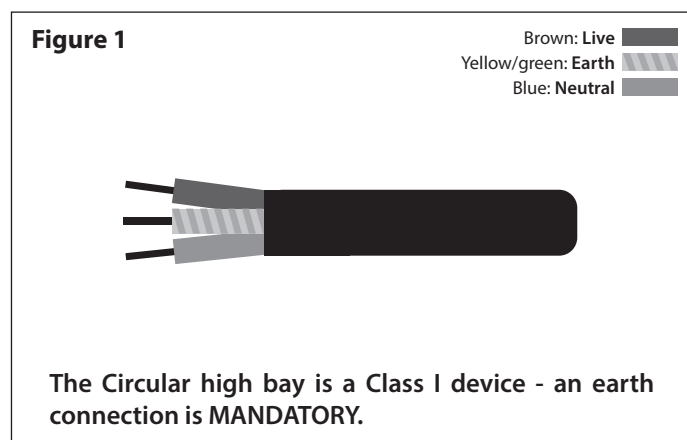
IMPORTANT DETAILS – Please read prior to installation

1. This product must be installed by a qualified electrician in accordance with instructions provided and in compliance with recognised electrical and safety regulations relevant to the country it is being installed.
2. Do NOT use the luminaire if damaged.
3. Should the unit malfunction, return to distributor or reseller. No user serviceable parts inside. Risk of electric shock, do not disassemble or attempt to repair the luminaire.
4. No fixings screws or chain provided. Ensure you have all tools and accessories needed for suspended mounted installation to support product weight.
5. Consideration should be taken to ensure all fixings are of suitable size for the luminaire to be installed.

6. Ensure mounting eye is securely tightened and fully engaged into the fixing point at the top of the fitting.
7. To avoid damage, DO NOT lift, carry or let the luminaire hang by any part of the wiring.
8. This product is Class I – Earth connection required.
9. Failure to comply with the recommendations and instructions provided herein may cause damage to the luminaire or present a risk of injury or death (e.g. short-circuit, fire, burns or electric shock). Any modifications to the luminaire, incorrect installation or unfit positioning may be dangerous to users and may cause the warranty to become void.
10. The luminaire should be mounted in free air it is recommended not to exceed 45°C ambient. Never cover the luminaire with heat insulation materials. Avoid contact with any corrosive chemicals.
11. The luminaire should be positioned at least 1 metre away from radios, failure to do so may affect radio reception.

INSTALLATION INSTRUCTIONS:

12. Ensure that the power is OFF during installation and that power cannot be unexpectedly reconnected.
13. This fitting requires suspension via the mounting eye ensuring the front face is in a horizontal position.
14. Use suitable tools and fixings to mount the light fitting safely and securely to the surface. Depending on the substrate, alternative fixings to the item supplied may be required. Avoid damage to any wiring.
15. Use suitable IP rated enclosure or connector to wire the light fixture to mains.
16. Wire the mains adequately to the luminaire supplied cable, H05RN-F 3x1.00mm², Brown (Live), Blue (Neutral) and Yellow/Green (Ground), paying attention to polarity and earth, as shown on figure 1. Cable supplied is 2 meters long.
17. Should you require to connect this luminaire to a 1-10V dimming device please connect the dimming control wires, as shown on figure 2.
18. Check connections and switch power ON when safe to do so.



WASTE ELECTRICAL PRODUCTS SHOULD NOT BE DISPOSED OF WITH HOUSEHOLD WASTE. PLEASE RECYCLE WHERE FACILITIES EXIST. CHECK WITH YOUR LOCAL AUTHORITY FOR RECYCLING ADVICE.

Integral LED is a division of Integral Memory plc:
Unit 6, Iron Bridge Close,
Iron Bridge Business Park,
London, NW10 0UF, UK
Integral Europe BV, 2801 DG, NL

Warranty/Technical and contact information are all available at www.integral-led.com