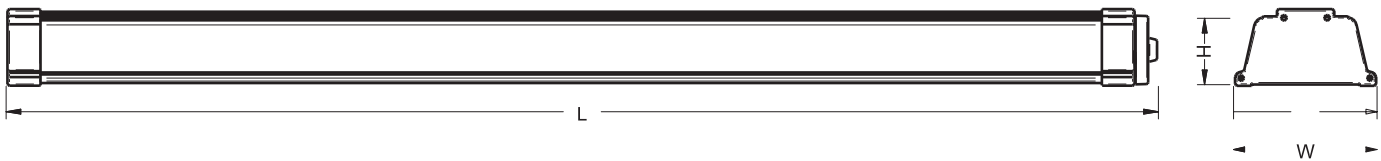


INSTALLATION GUIDE FOR INTEGRAL LED "LINEAR LOW BAYS"

Integral Product Code	Description	Product Dimensions (mm) (LxWxH)	Net Weight (Kg)
ILHBL020	LED Linear Low Bay 80W 5000K 110° 130lm/W	824 x 150 x 106 mm	2.5
ILHBL009	LED Linear Low Bay 100W 5000K 110° 130lm/W	824 x 150 x 106 mm	2.5
ILHBL024	LED Linear Low Bay 120W 5000K 110° 130lm/W	1224 x 150 x 106 mm	3
ILHBL010	LED Linear Low Bay 160W 5000K 110° 130lm/W	1224 x 150 x 106 mm	3
ILHBL028	LED Linear Low Bay 180W 5000K 110° 130lm/W	1224 x 150 x 106 mm	3
ILHBL040	LED Linear Low Bay 80W 4000K 110° 130lm/W	824 x 150 x 106 mm	2.5
ILHBL042	LED Linear Low Bay 100W 4000K 110° 130lm/W	824 x 150 x 106 mm	2.5
ILHBL044	LED Linear Low Bay 120W 4000K 110° 130lm/W	1224 x 150 x 106 mm	3
ILHBL046	LED Linear Low Bay 160W 4000K 110° 130lm/W	1224 x 150 x 106 mm	3
ILHBL048	LED Linear Low Bay 180W 4000K 110° 130lm/W	1224 x 150 x 106 mm	3



Thank you for purchasing an INTEGRAL LED product. When installed correctly this unit will provide years of service – with no lamp changes required. For support or warranty information please see www.integral-led.com.

Important Details – Please read prior to installation

1. This product must be installed by a qualified electrician in accordance with instructions provided and in compliance with recognised electrical and safety regulations relevant to the country it is being installed.
2. This product is suitable for installation on surfaces with normal flammability e.g. wood, masonry. It is not suitable for use on highly flammable surfaces or in flammable atmosphere.
3. This can be mounted on the ceiling or suspended. See installation guides below.
4. If mounted on the ceiling this product must be securely fixed to the mounting surface using the mounting clips, screws and wall plugs supplied (see Table 1). The screws and wall plugs are suitable for "masonry" only. Other fixings are not supplied and must be purchased.
5. Please ensure that 2-core H05RN-F / H07RN-F minimum 2x0.75mm² cable is used to power the luminaire and to link to other.
6. This product is not suitable for dimming.
7. No user serviceable parts.
8. This product is a Class II device





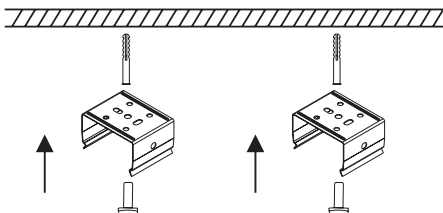
Image	Fixing Kit	ILHBL009, ILHBL020, ILHBL040, ILHBL042	ILHBL010, ILHBL024, ILHBL028, ILHBL044, ILHBL046, ILHBL048
	Fixing Clip	2	2
	Wall Plug	4	4
	Screws	4	4
	Suspension Kit (2 wires) <small>*Ceiling hook not provided</small>	1	1

Table 1 - Fixing Kit quantity

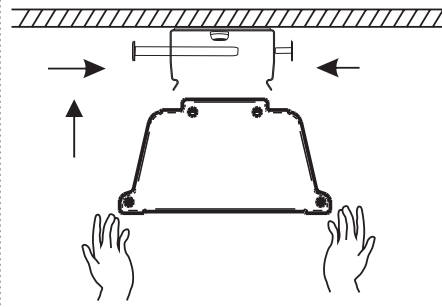
CEILING INSTALLATION GUIDE

Step 1

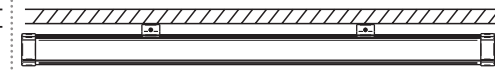


1. Ensure that the fixings provided are suitable for the substrate. Alternative fixings may be required.
2. Mounting clips equally spaced positioned approximately 10 cm from each end of the batten.
3. Use wall plugs, fixing clips and screws provided.
4. Ensure that the fixing is safe and secure.

Step 2

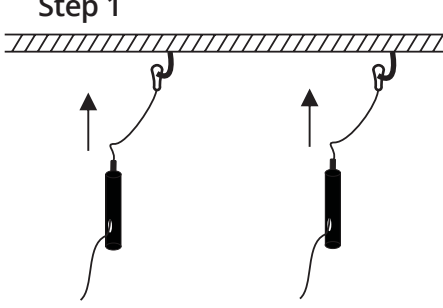


Step 3



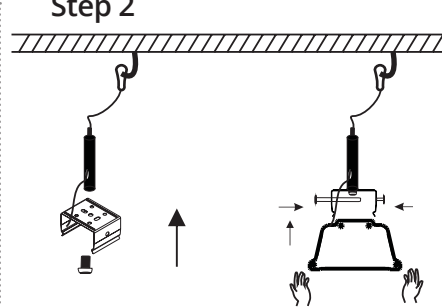
SUSPENDED INSTALLATION GUIDE

Step 1

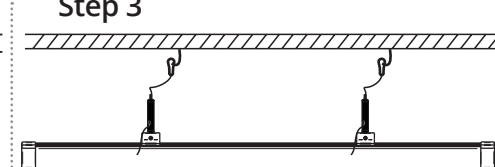


* Ceiling hook not provided

Step 2

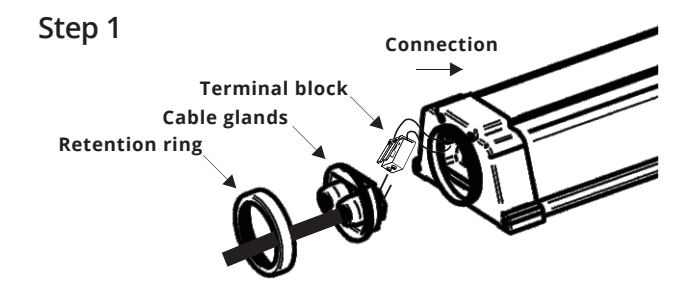


Step 3



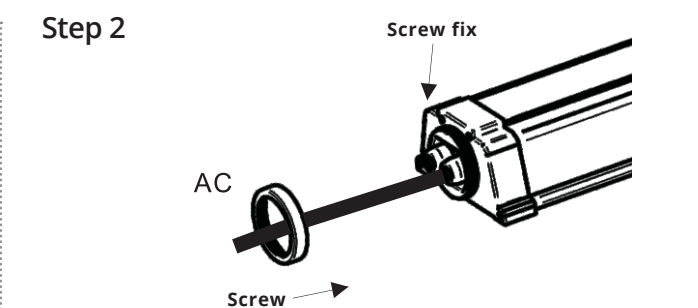
WIRING CONNECTION

Step 1



1. Unscrew retention ring and cable gland
2. Remove cable gland from gland plate and access terminal block
3. Fit cable through cable gland and then wire it into terminal block
4. Repeat process with second cable gland if loop out is required.

Step 2

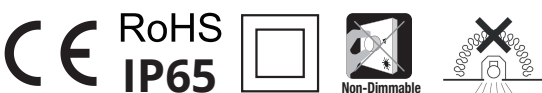


5. Place terminal block inside and put the plate back into position ensuring that the gasket is in place to maintain IP65 rate.
6. Screw retention ring back and tighten cable gland.

Always turn off power before installation and maintenance.

⚠ Notes:

- Operating and storage of luminaire must be within rated temperature and humidity guidelines. Operation must be within rated input voltage.
- Keep away from strong electromagnetic radiation sources and protect from lightning strike.
- Should the unit malfunction, return to distributor or reseller. No user serviceable parts inside. Risk of electric shock, do not disassemble or attempt to repair the luminaire.
- Do not install or use the luminaire if the casing is found to be broken.
- The luminaire must be installed by a qualified electrician.
- The luminaire should be positioned away from heat and vibration. Avoid contact with any corrosive chemicals.
- The Luminaire should be mounted in free air it is recommended not to exceed 30°C ambient.
- Never cover the luminaire with heat insulation materials.
- The luminaire should be positioned at least 1 metre away from radios, failure to do so may affect radio reception.



WASTE ELECTRICAL PRODUCTS SHOULD NOT BE DISPOSED OF WITH HOUSEHOLD WASTE. PLEASE RECYCLE WHERE FACILITIES EXIST. CHECK WITH YOUR LOCAL AUTHORITY FOR RECYCLING ADVICE.

Integral LED is a division of Integral Memory plc:
Unit 6, Iron Bridge Close,
Iron Bridge Business Park,
London, NW10 0UF, UK

Warranty/Technical and contact information are all available at www.integral-led.com