



integralTM LED

IP00



All Trademarks Acknowledged

Integral LED is a division of Integral Memory plc
London NW10 0UF

PLEASE READ BEFORE USE

Pour des instructions en français, merci de vous rendre à l'adresse www.integral-led.com afin de les télécharger directement depuis la page du produit ('Product' sur le site) dans la section Téléchargement ('Download')

Integral LED RGBW Colour Changing Remote Control and Receiver ILRC007/ILRC008



WARNING

**DO NOT CONNECT THE RECEIVER TO A MAINS SUPPLY.
THE RECEIVER MUST ONLY BE CONNECTED TO A SUITABLE DC5-24V LED DRIVER.**

IMPORTANT NOTICE

- This product should be installed according to the instructions in this guide and by a qualified electrical installer.
- All electrical work must be completed in accordance with the latest IET wiring regulations (formally IEE) for the UK or in accordance with all applicable regulations and laws in the country in which it is being installed.
- Switch OFF power at the mains before installing the product.
- Always disconnect or switch off the power supply before making any adjustment to the wiring.
- Observe the operating temperature of the product: -30C to +55C.
- Limited 5 Year Warranty. This LED Remote control and Receiver is for indoor use only. Improper installation, abuse or miss-powering of the remote control and receiver or failure to use the remote control and receiver for its intended use will void the warranty. Proof of purchase is required for all returns. Your statutory rights remain unaffected.

Please see www.integral-LED.com/warranty.

Questions? Please contact your supplier or see integral-LED.com

1. Introduction

INTRODUCTION

The Integral LED RGBW Colour Changing Remote Control and Receiver is designed to work with the Integral LED RGBW Colour Strip. You will be able to change the colour of the strip in different colour modes to change the mood and look of your space instantly. You can also dim the strip to your ideal level. The strip can also switch between different colour modes on continuous basis to add excitement.

2. Parameter

Receiver:

- Compatible Remote: M4/M8
- Power Input: DC5V~DC24V
- Max Current Load: Max 20A,5Ax4CH
- Max Output Power: 100W(5V) / 240W(12V) 480W(24V)
- GrayScaleLevel:Max4096x4096x4096x4096
- Working Temp.: -30°C~55°C
- Dimensions: L175xW44xH30(mm)
- Weight (N.W.): 125g

Remote:

- Working Voltage: 3V (battery CR2032)
- Working Frequency: 433.92MHz
- Remote Distance: 40m~50m
- Working Temp.: -20°C~55°C
- Remote Dimensions: L104xW60xH9(mm)
- Remote Holder Dimensions: L108xW63xH14(mm)
- Weight(N.W.): 42g

Total Weight (G.W.): 225g

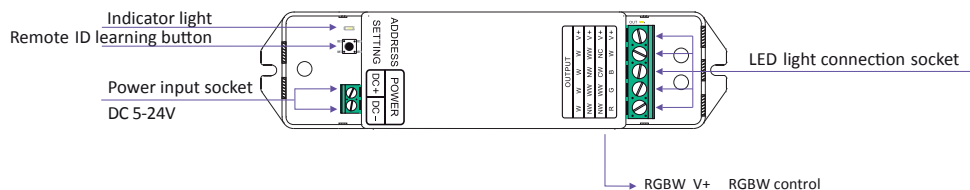
3. Operating Instruction for Receiver

The Remote control has been matched to the receiver before leaving the factory, if deleted accidentally you can restore the ID as follows.

Learning ID: Short press the ID learning button on the receiver until the indicator light is on, then press any key on the remote control, the indicator light flashes several times. The ID is now activated.

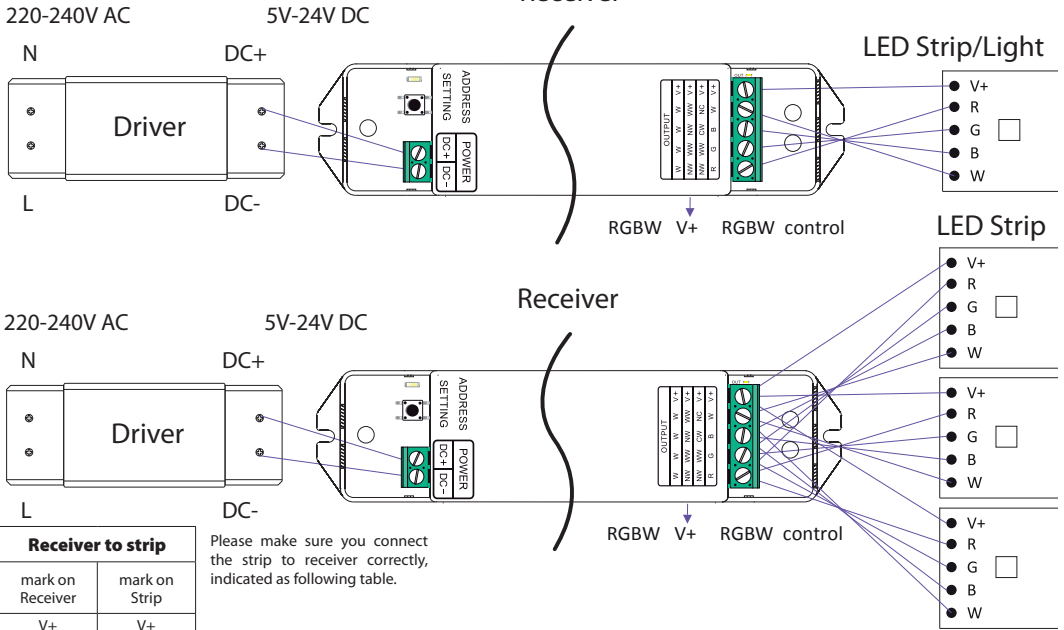
Cancel ID: Press ID learning button on the receiver for 5 seconds.

One receiver can be matched to up to 10 remote controls.



4. Wiring Diagram

RGBW Control



| Receiver to strip | |
|-------------------|---------------|
| mark on Receiver | mark on Strip |
| V+ | V+ |
| R | R |
| G | G |
| B | B |
| W | W |

Please make sure you connect the strip to receiver correctly, indicated as following table.

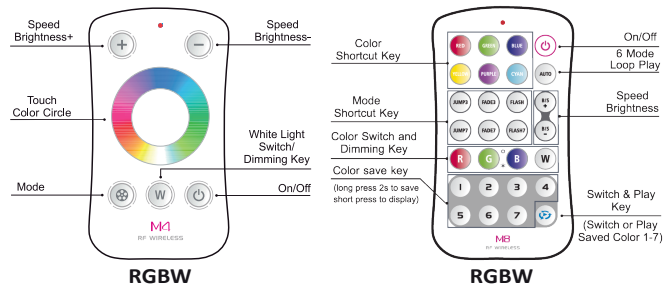
5. Operating Instruction for Remote Control

Sleep mode: when the touch remote unattended operation over 30s, it can automatically enter standby mode to extend battery life.

Press any of these four keys to continue.

Tablest of Changing Mode:

- | | |
|------------------|-----------------------|
| 1. Static Red | 7. Static White |
| 2. Static Green | 8. RGB Skipping |
| 3. Static Blue | 9. 7 Color Skipping |
| 4. Static Yellow | 10. RGB Color Smooth |
| 5. Static Purple | 11. Full-color Smooth |
| 6. Static Cyan | 12. Static Black |



6. Product size

