



PLEASE READ BEFORE USE

integral™
LED

IP20

Integral LED RF/RGBW Wall-mounted Touch Remote ILRC015/ILRC017



WARNING



**THE WALL-MOUNTED TOUCH REMOTE IS A 100-240V AC INPUT PRODUCT.
DO NOT INSTALL PRODUCT WITH METAL BOX WHICH CAN AFFECT THE SIGNAL TRANSMISSION.
SWITCH OFF POWER BEFORE CONNECTING THE PRODUCT TO A MAINS SUPPLY.**

IMPORTANT NOTICE

- This product should be installed according to the instructions in this guide and by a qualified electrical installer.
- All electrical work must be completed in accordance with the latest IET wiring regulations (formally IEE) for the UK or in accordance with all applicable regulations and laws in the country in which it is being installed.
- Switch OFF power at the mains before installing the product.
- Always disconnect or switch off the power supply before making any adjustment to the wiring.
- Observe the operating temperature of the product: -20°C to 50°C
- Limited 5 Year Warranty. This LED wall-mounted touch remote is for indoor use only. Improper installation, abuse or miss-powering of the wall-mounted touch remote and receiver or failure to use the wall-mounted touch remote and suitable receiver for its intended use will void the warranty. Proof of purchase is required for all returns. Your statutory rights remain unaffected.

Please see www.integral-LED.com/warranty.
Questions? Please contact your supplier or see integral-LED.com

1. INTRODUCTION

The Integral LED RF/RGBW wall-mounted touch remote is designed to work with the Integral LED receiver (ILRC014) and RGBW colour strip. The wall-mounted touch remote can be used to control four zones of strip lighting. You will be able to switch on/off, change the colour of the

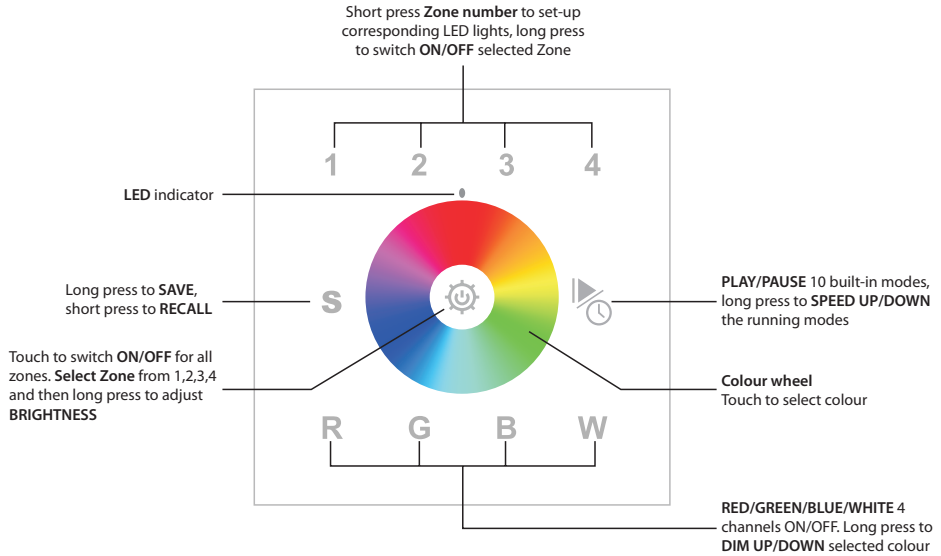
strip in different colour modes and dim the strip to your ideal level for each independent lighting zone. You can change the mood and look of your space instantly. Two product finishes, black and white colours, are available to purchase.

2. PARAMETER

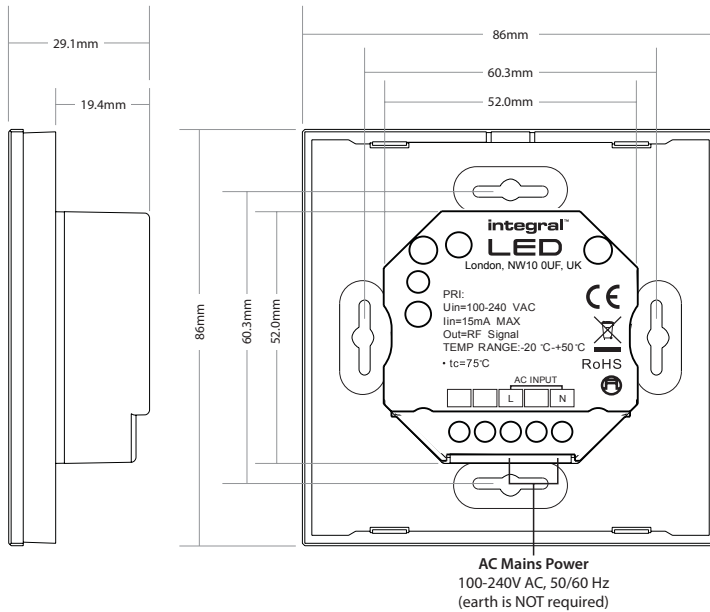
- Control interface: Touch control
- Input Voltage: 100-240V AC
- Power Consumption: 15mA
- Output: RF signal
- Working Frequency: 868MHz
- For use with ILRC014 RF receiver
- Control: RGBW colour
- Control Zone: 4 zones synchronously and independently
- Remote Distance: 20-30 metres
- IP rating: IP20
- Working Temperature: -20°C to 50°C
- Relative Humidity: 8% to 80%
- Product Colour: Black (ILRC015) and White (ILRC017) interfaces available
- Dimensions: L86xW86x29.1(mm)
- Weight (N.W.): 200g

3. OPERATING INSTRUCTIONS

Front of the wall-mounted touch remote



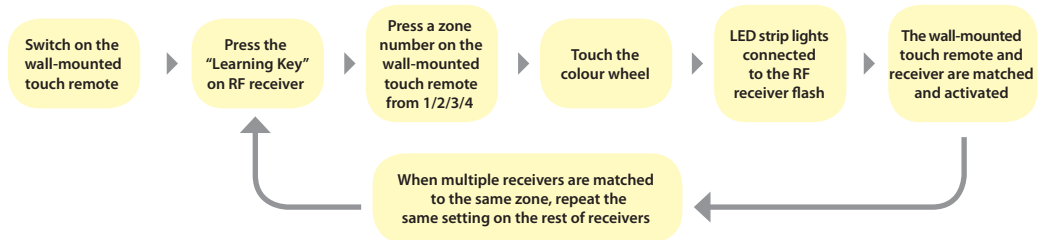
Back of the wall-mounted touch remote



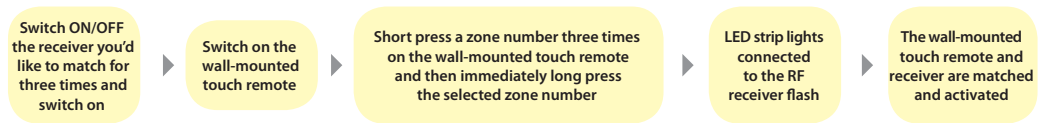
Matching the RF receivers

There are 2 ways to match the receivers.

Option 1: Match the RF receiver **WITH** the "Learning Key" on receiver(s)



Option 2: Match the RF receiver **WITHOUT** the "Learning Key" on receiver(s)



Note: One receiver can be matched up to a maximum of 8 wall-mounted touch remotes.

Cancel the matching: Press "Learning Key" button on the receiver for more than 3 seconds until the LED strip lights connected to the receiver flash.

Operating the Wall-mounted Touch Remote

For all operation, select a Zone number from 1, 2, 3, and 4 first, then follow up below instruction to activate the selected zone.

LED INDICATOR: Blue light is ON and Red light is standby. When red light is on, press ON/OFF before any operating and indicator will change to Blue light.

RGBW: Press R to switch on RED LED lights. Press again to switch off RED LED lights. Long press R to dim up/down the RED LED lights. Operating for BLUE (B), GREEN (G) and WHITE (W) is the same.

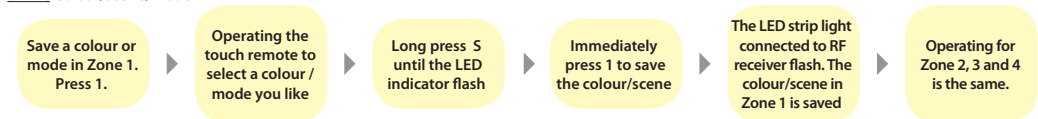
To create white colour from RGB chip, then switch on R, G, B three colours. To switch on BLUE LED lights only, press B to switch on and make sure R, G, and W are switched off. To light on white colour from White chip only, then switch off R, G, B three colours. White (W) can be used in a colour mix with R, G, B to create soft colours.

COLOUR WHEEL: Touch to select the colour.

ON/OFF: Touch to switch on/off for all zones. Select Zone from 1, 2, 3, 4 and then long press to adjust the brightness.

PLAY/PAUSE: There are 10 built-in modes. Press to play the first colour mode, press again to pause the mode, and press again to play 2nd colour mode, same operating to continue the following modes. Long press to speed up/down the running modes.

SAVE: Colour/scene/mode

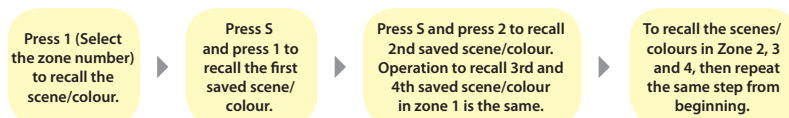


RECALL: The saved colours/scenes

When one colour or scene is saved in one zone, to recall it, follow below steps.

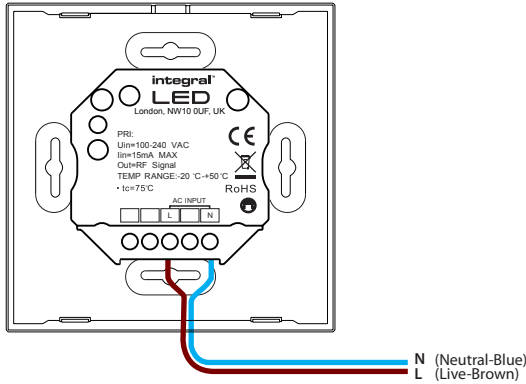


Up to 4 colours or scenes can be saved in each Zone. When 4 colours or scenes are saved in one zone, to recall it, follow below steps.

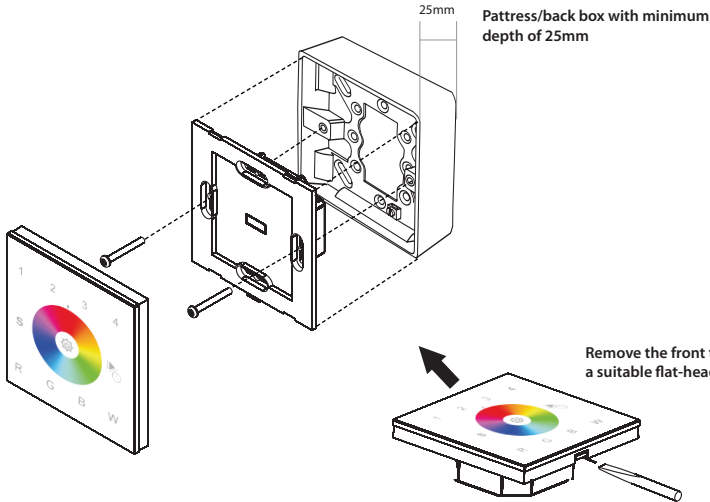


Wiring diagram

This wall-mounted touch remote requires 100-240V AC 50/60 Hz mains power and fits a standard single pattress/back box with minimum depth of 25mm.



Mains power
100-240V AC, 50/60 Hz
(earth is NOT required)



WASTE ELECTRICAL PRODUCTS SHOULD NOT BE DISPOSED OF WITH HOUSEHOLD WASTE. PLEASE RECYCLE WHERE FACILITIES EXIST. CHECK WITH YOUR LOCAL AUTHORITY FOR RECYCLING ADVICE.

Integral LED is a division of Integral Memory plc:
Unit 6 Iron Bridge Close,
Iron Bridge Business Park,
London, NW10 0UF, UK